



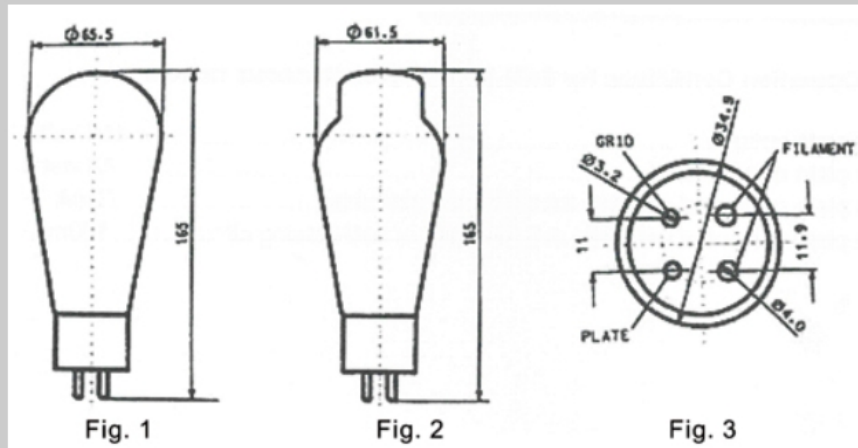
by BTB, Germany

<< 300B 300B/n 300B/c 300B/SE 300B/2.5V/n 300B/2.5V/c Vacuum Tube

Classification- Dome-type or Aubergine-type bulb of glass, a white ceramic base with four-prong bayonet golden pins, oxide coated filamentary, solid plate or mesh or carbon plate triode.

Application -Audio frequency amplifier where power outputs of approximately 8.5watts or less is required at relatively low plate voltages.

Dimensions -Dimensions, outline diagrams of the tube and bases, and the arrangement of electrode connections to the base terminals are shown in Figures 1, 2 and 3.



Nominal operating conditions and parameters

Filament voltage*	5V or 2.5V
Nominal filament current	1.2A or 2.4A
Plate voltage	300V
Grid voltage**	-58V
Plate current	60mA
Amplification factor	3.85
Grid to plate transconductance	5.7mA / V
Grid current	0.05 μ A
Plate resistance	700 ohms

*Alternating-current filament supply or Direct-current filament supply.

**Alternating-current filament supply is used. The grid and plate returns should be connected to a center tap on the secondary of the filament transformer.

Direct-current filament supply is used. The grid and platter returns are connected to the negative end of the filament.

Limiting Operation Conditions for Safe Nor simultaneous ratings

Maximum plate voltage	450 volts
Maximum plate dissipation	40 watts
Maximum plate current of average tube for fixed grid bias	70mA
Maximum plate current of manually adjusted grid or self-biasing circuit	100mA