

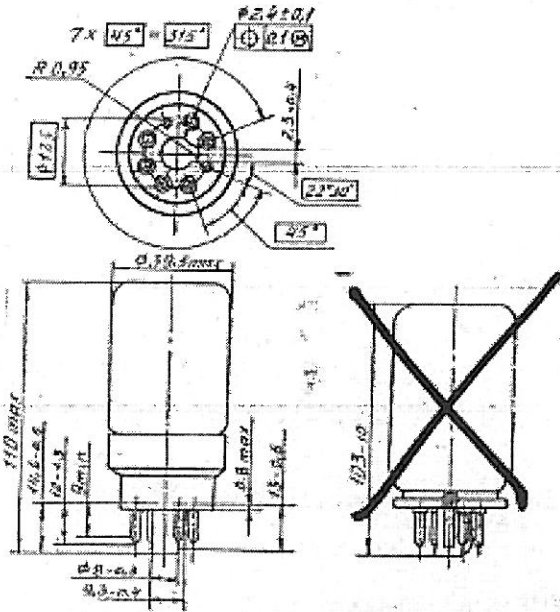
Made in Russia  
TUBE TYPE  
1. 0

**SOVTEK®**

**5881WXT**

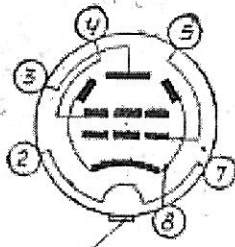
Beam tetrode in a glass envelope with an indirectly heated cathode designed for use in final stage amplifiers of radiotechnic devices, type

Option 1



Option 2  
See Opt. 1 for other Inf.

Mass, max 80g



Terminal Connections

Pin No	Electrodes
2 and 7	Heater
3	Plate
4	Grid No 2
5	Grid No 1
6	Cathode and beam forming screen

Alignment pin  
Pin symbols from  
bottom view

2. BASIC ELECTRICAL PARAMETERS

Parameter, units	Typical			Remark
	Min	Rate	Max	
Filament current, mA	840	880	920	1
Plate current, mA	60	73	86	1,2,3
Plate current at the characteristic origin, mA			10	1,2,4
Grid No. 1 inverse current, mA			0,5	1,2,3,5
Grid No. 2 current, mA			6	1,2,3
Output power, W	5,8			1,2,3,6
Output power at underheating voltage, W	5			2,3,6,7
Transconductance, mA/V	5,2	6	6,8	1,2,3
Cathode-to-heater insulation resistance, Mohm	4			1,8
Grid No. 1-(cathode+heater) insulation resistance, Mohm	200			9,10,12
Grid No. 1-(plate+grid No. 2) insulation resistance	200			9,11,12
Internal resistance, kohm	18		75	1,2,3
Nonlinear distortion factor, %			15	1,2,3,6
Input capacitance, pF		11		
Output capacitance, pF		6,7		
Transfer capacitance, pF			1	
Cathode-to-heater capacitance, pF		11		
Readiness time, s			50	1,2,3

Notes:

1. Filament voltage 6.3 V.
2. Plate and grid No. 2 voltage 250 V.
3. Grid No. 1 voltage minus 14 V.
4. Grid No. 1 voltage minus 35 V.
5. Grid No. 1 circuit resistance 0.5 Mohm
6. Grid No. 1 alternating r. m. s. voltage 3.8 V; resistance in a plate tuned circuit 2.5 Kohm
7. Filament voltage 5.7 V.
8. Cathode-to-heater voltage ±250 V.
9. Filament voltage 7 V.
10. Grid No. 1 voltage minus 100 V.
11. Grid No. 1 voltage minus 200 V.
12. All the other electrodes are vacant.

3. Noble metal content:  
gold content—1.9314 mg at Grid No. 1 winding.  
Non-ferrous metal content:  
nickel and its alloys content in a stem assembled.

+ ACCEPTANCE

The tube ~~6881WXT~~ complies with special specifications  
4TY CA3.301.015 TY-P.  
Technical Control Department Stamp

**OTK-7**

Stamp "Reinspection is made \_\_\_\_\_ Date \_\_\_\_\_"

Technical Control Department Stamp

5 OPERATING INSTRUCTIONS

1. When operating the tube it is recommended to keep within the values determining operate conditions, specified by the Special Specs ratings hereto. Otherwise the tube will become inoperative.
2. It is not advisable to use the tube in circuits with heater series connection in order to secure the tube reliability.
3. The tube shouldn't be operated either if the bulb temperature is over 180 C and the filament voltage is above 6.3 C at the same time.