

# SUBMINIATURE R.F. PENTODE

# DF61

R.F. Pentode for use in battery operated receivers.

## FILAMENT

Suitable for d.c. operation only

$V_f$	1.25	V
$I_f$	25	mA

## CAPACITANCES

$C_{a-g1}$	< 0.01	pF
$C_{in}$	3.1	pF
$C_{out}$	3.6	pF

## CHARACTERISTICS

$V_a$	45	67.5	V
$V_{g2}$	45	67.5	V
$V_{g1}$	0	0	V
$I_a$	0.8	1.7	mA
$I_{g2}$	200	450	$\mu$ A
$g_m$	750	950	$\mu$ A/V
$r_a$	1.4	1.6	M $\Omega$
$\mu_{g1-g2}$	21	21	
$V_{g1}$ (for 100:1 reduction in $g_m$ )	-2.6	-4.0	V
$R_{in}$ ( $f=50$ Mc/s)	—	57	k $\Omega$
$R_{eq}$	—	10	k $\Omega$

## OPERATING CONDITIONS AS A FREQUENCY CHANGER

$V_a$	45	67.5	V
$V_{g2}$	45	67.5	V
$R_{g1-f}$	100	100	k $\Omega$
$I_a$	0.6	1.35	mA
$I_{g2}$	140	400	$\mu$ A
$V_{osc(r.m.s.)}$	3.0	4.0	V
$I_{g1}$	30	30	$\mu$ A
$g_c$	220	290	$\mu$ A/V
$g_m$ (eff)	300	450	$\mu$ A/V
$r_a$	1.4	2.0	M $\Omega$

## LIMITING VALUES

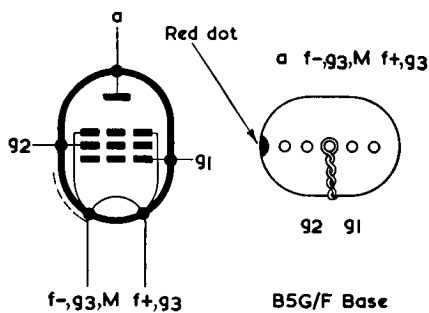
$V_a$ max.	90	V
$V_{g2(b)}$ max.	90	V
$V_{g2}$ max.	67.5	V
$I_k$ max.	2.5	mA
$V_{g1}$ ( $I_{g1} = +0.3\mu$ A)	> 0	V

# DF61

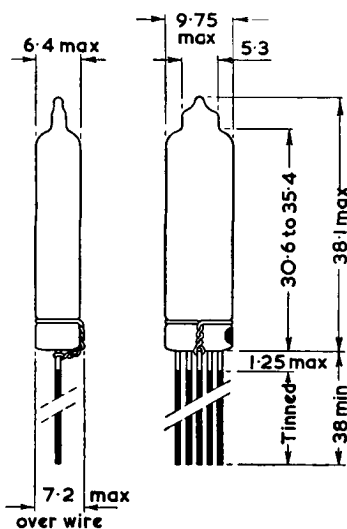
## SUBMINIATURE R.F. PENTODE

R.F. Pentode for use in battery operated receivers.

2926



g<sub>3</sub> consists of two plates one being connected to lead 3 and the other to lead 5



All dimensions in mm