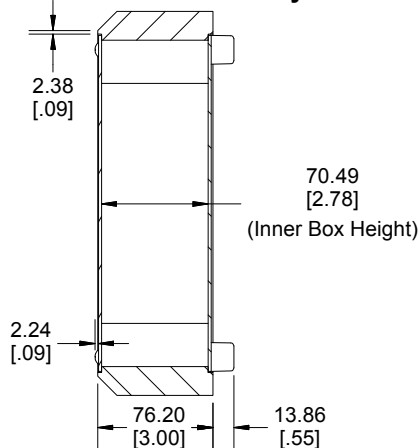
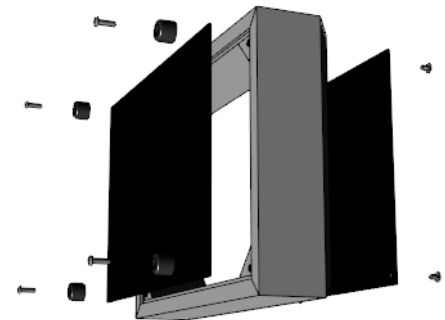
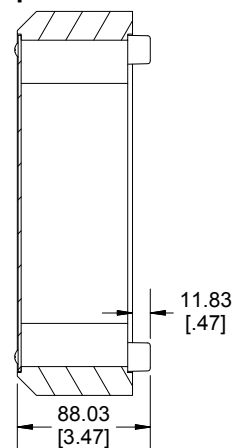


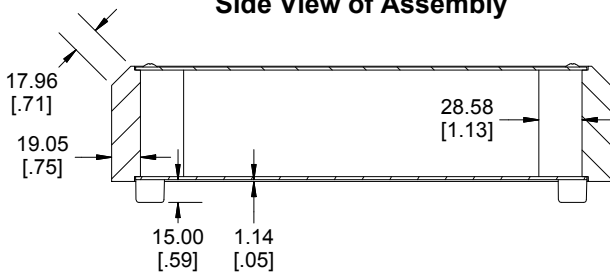
**SECTION A-A**  
End View of Assembly



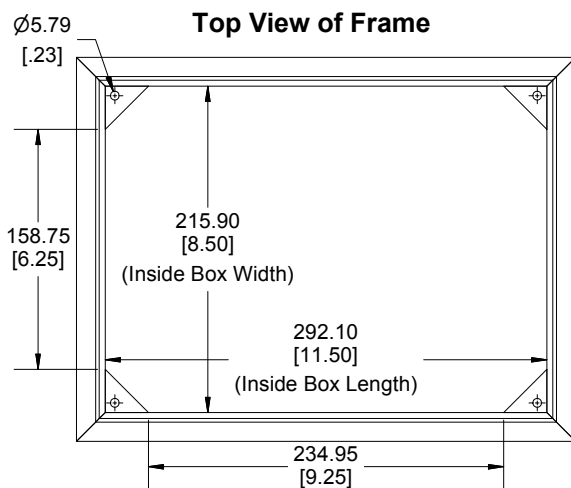
**SECTION A-A**  
Without Optional Bottom Panel



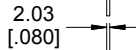
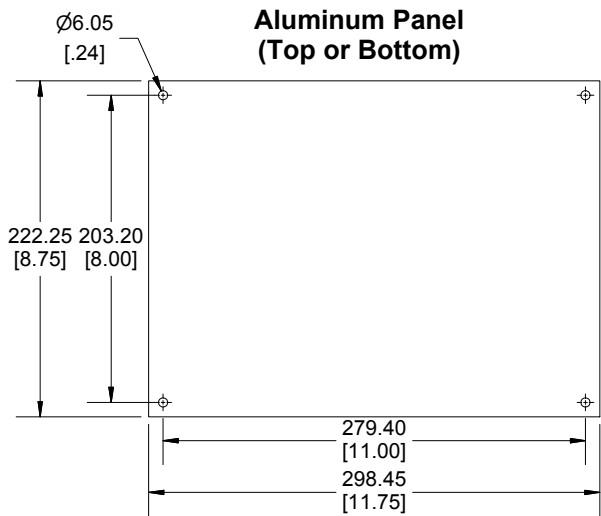
**SECTION B-B**  
Side View of Assembly



**Top View of Frame**



**Aluminum Panel**  
(Top or Bottom)



Enclosures can be Factory Modified ( Milling, Drilling, Printing etc.)  
Contact Factory [mjm@hammondmfg.com](mailto:mjm@hammondmfg.com) for quotes  
Solid models of this enclosure available in STEP or IGES.

**NOTE**  
Chassis Includes Solid Walnut Frame, one (1) Aluminum Panel, Rubber Feet and Required Hardware  
Aluminum Panels are Made of 0.080" Aluminum.

**Screws should not be torqued past 4.43 lbf.in (50 cN.m)**

| <b>PART NUMBERS</b>               |              |
|-----------------------------------|--------------|
| <b>13"x10" Enclosure</b>          |              |
| Chassis with Natural Finish Panel | HWCHAS1310AL |
| Chassis with Satin Black Panel    | HWCHAS1310BK |
| <b>ACCESSORIES</b>                |              |
| Natural Finish Panel              | HW1310ALPL   |
| Satin Black Panel                 | HW1310BKPL   |

**HAMMOND MANUFACTURING™**  
**HWCHAS1310**  
www.hammondmfg.com

**Dimensions:**  
mm  
[inches]