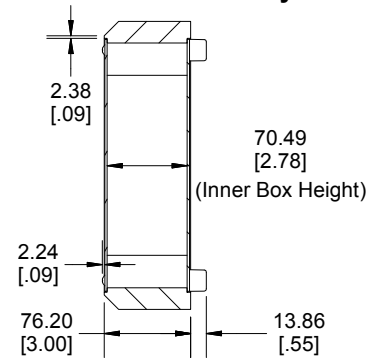
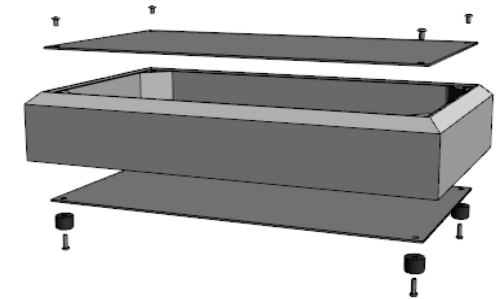
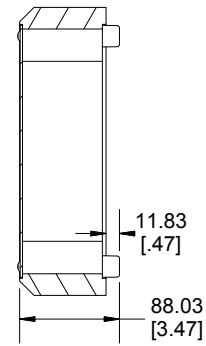


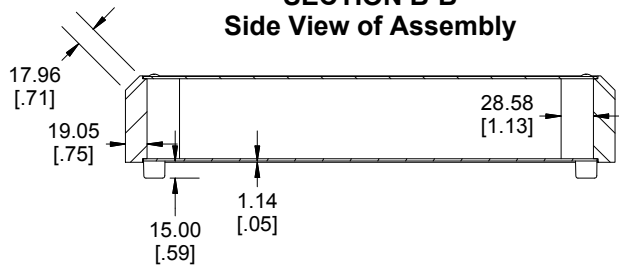
**SECTION A-A
End View of Assembly**



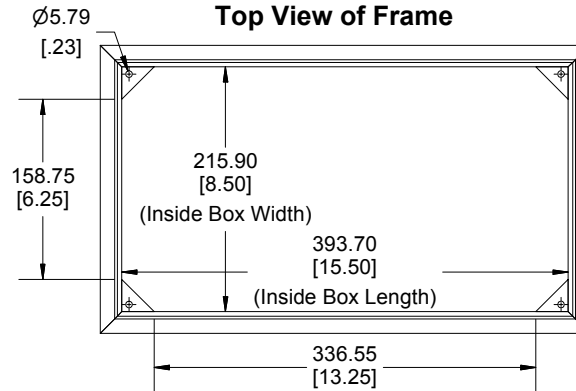
**SECTION A-A
Without Optional Bottom Panel**



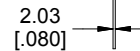
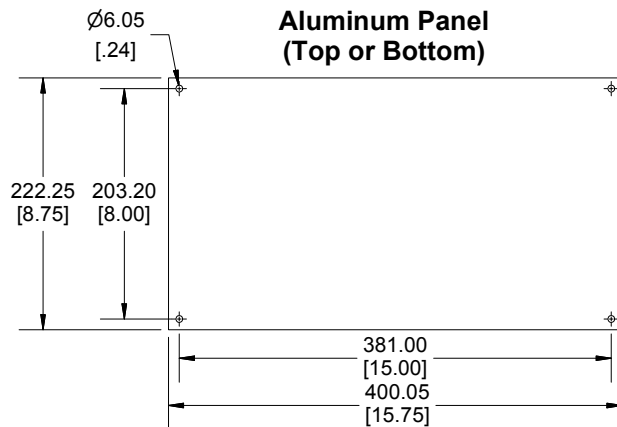
**SECTION B-B
Side View of Assembly**



Top View of Frame



**Aluminum Panel
(Top or Bottom)**



Enclosures can be Factory Modified (Milling, Drilling, Printing etc.)
Contact Factory mjm@hammondmfg.com for quotes
Solid models of this enclosure available in STEP or IGES.

NOTE

Chassis Includes Solid Walnut Frame, one (1) Aluminum Panel, Rubber Feet and Required Hardware
Aluminum Panels are Made of 0.080" Aluminum.

Screws should not be torqued past 4.43 lbf.in (50 cN.m)

PART NUMBERS

17"x10" Enclosure (Natural Finish)

Chassis with Natural Finish Panel	HWCHAS1710AL
-----------------------------------	--------------

Natural Finish Panel	HW1710ALPL
----------------------	------------

17"x10" Enclosure (Satin Black)

Chassis with Satin Black Panel	HWCHAS1710BK
--------------------------------	--------------

Satin Black Panel	HW1710BKPL
-------------------	------------

Dimensions:
mm
[inches]

