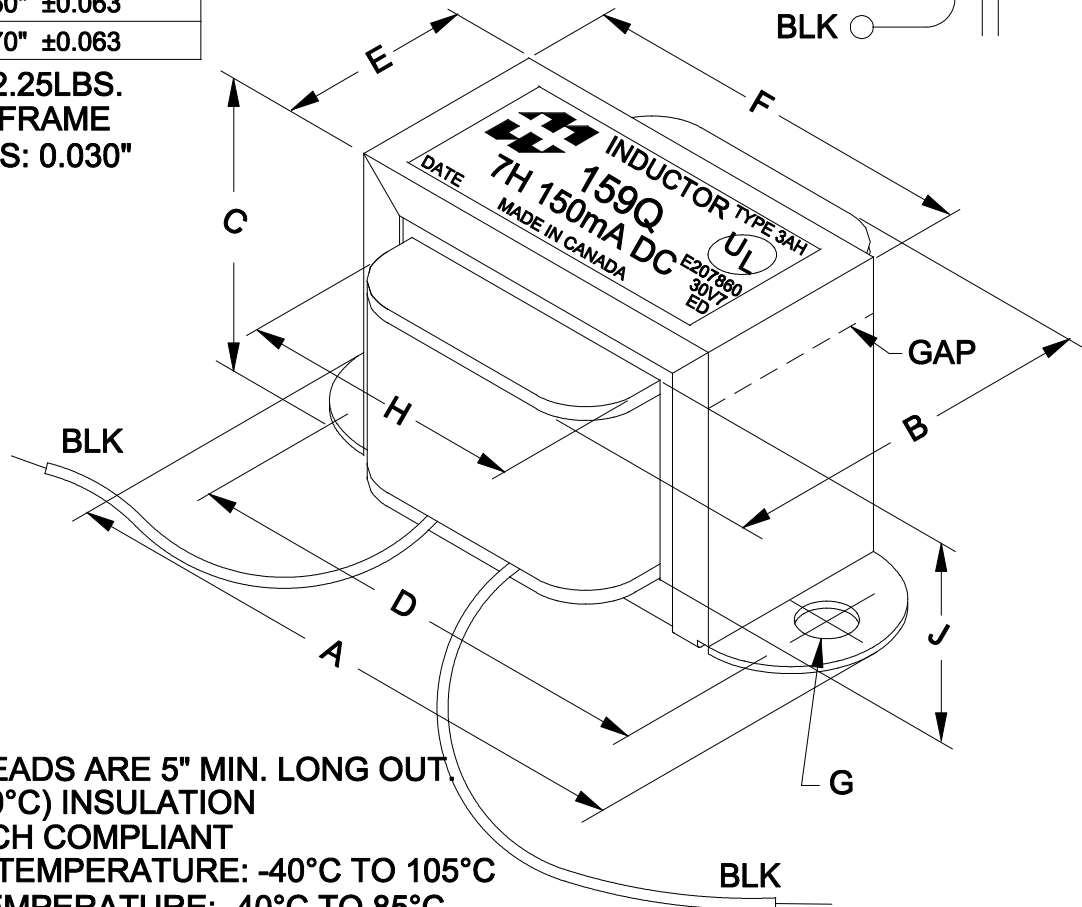
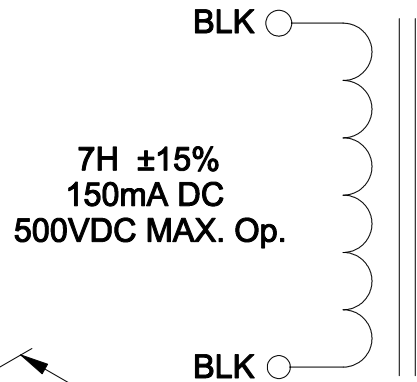


DIMENSIONS:	
A	4.000" ±0.063
B	2.085" ±0.125
C	2.625" ±0.063
D	3.563" ±0.063
E	1.076" ±0.063
F	3.076" ±0.063
G	0.187" ±0.015
H	1.960" ±0.063
J	1.470" ±0.063

WEIGHT: 2.25LBS.
CHANNEL FRAME
THICKNESS: 0.030"



NOTE: ALL LEADS ARE 5" MIN. LONG OUT.
CLASS B (130°C) INSULATION
RoHS & REACH COMPLIANT
OPERATING TEMPERATURE: -40°C TO 105°C
STORAGE TEMPERATURE: -40°C TO 85°C

ELECTRICAL DATA:		
TESTS	CONDITIONS	ACCEPTANCE CRITERIA
INDUCTANCE	@ 50V, 60Hz, 150mA DC, BLK - BLK	7H ±15%
DCR	@ 20°C, BLK - BLK =	100.2 Ω ±15%
HIPOT	PRIMARY - SECONDARY	2500V, 60Hz, 1 SEC



ELECTRONIC DIVISION
52 RANKIN PLACE,
WATERLOO, ONTARIO, N2J 3Z5
PH # (519) 886-6181
FAX # (519) 886-9540

TITLE CHOKE

NO	DATE	REVISION	DWG. BY
0	11/03/23	RELEASED.	C. ILIE
			DATE
			11/03/23
			DIM IN(X)MM()

159Q