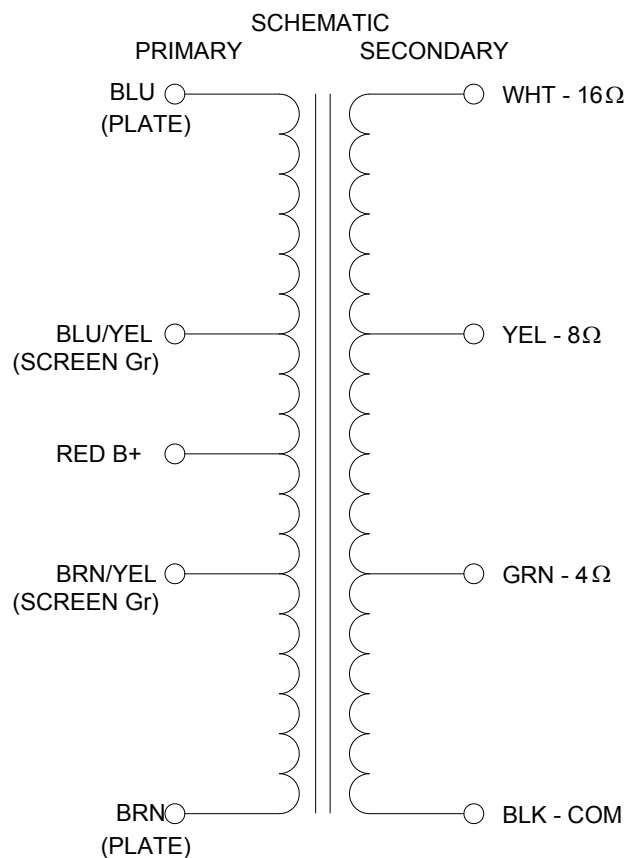
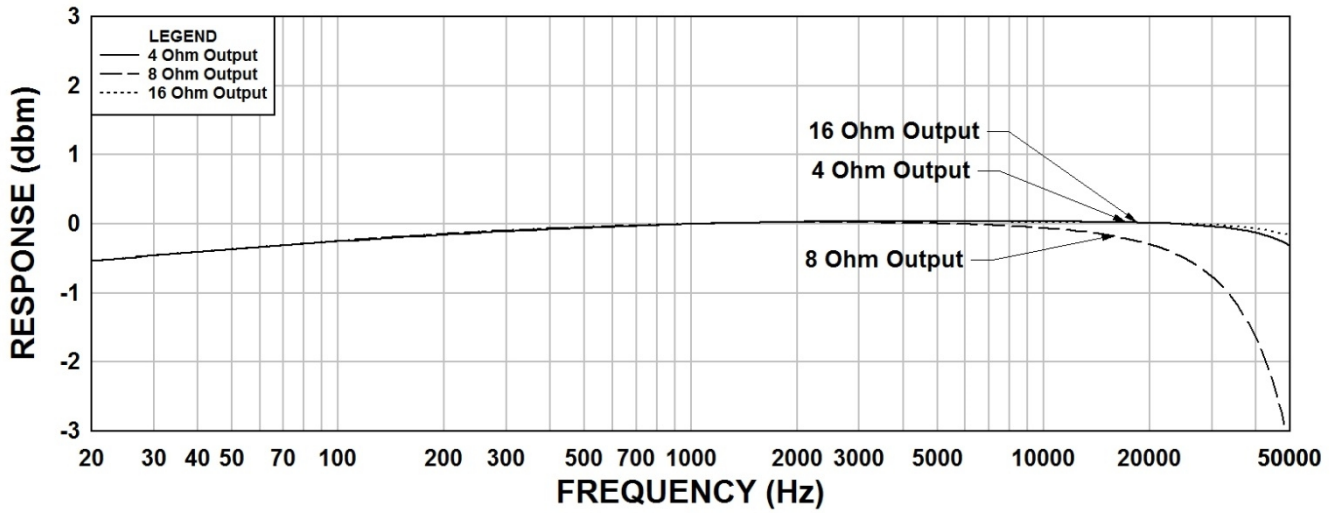


1620A ELECTRICAL SPECIFICATIONS****Schematic and Hook Up Data**

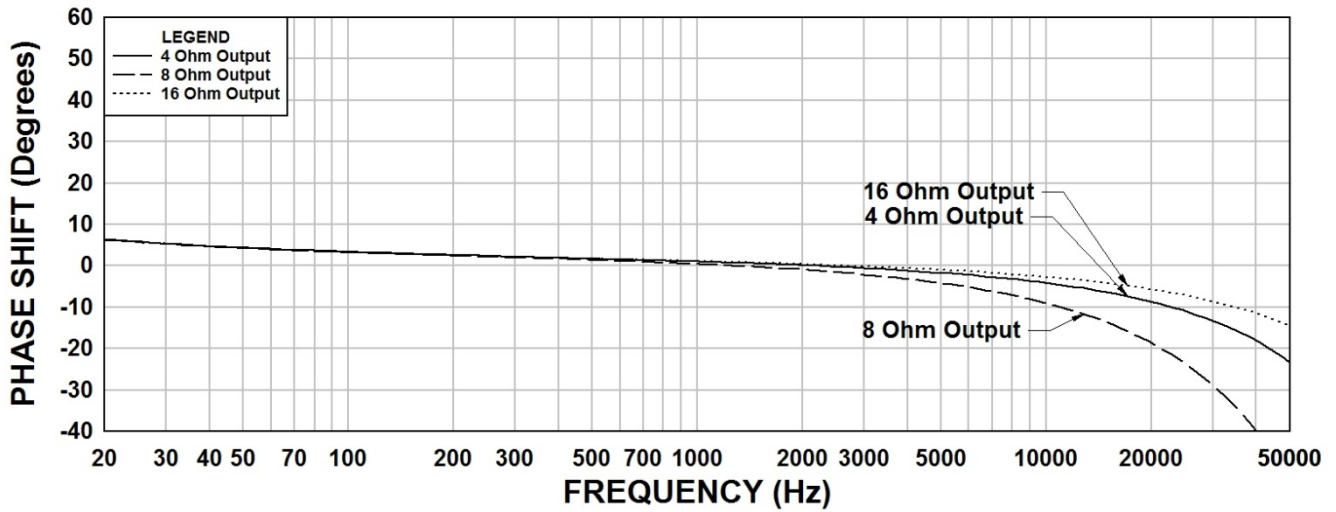
Characteristic	Typical
Input Impedance	6600 Ω
Output Impedance	4 Ω /8 Ω /16 Ω
Output Power	20Watts
Primary - DCR	
Blue – Brown	139.1 Ω
Secondary DCR	
Black – Green	190m Ω
Black – Yellow	325m Ω
Black – White	480m Ω
Leakage Inductance	@ 1.0kHz, 1.0V SC
Primary – Blue – Brown	549.6mH
Inductance	@ 1.0kHz, 1.0V OC
Primary – Blue – Brown	13.2Hy
Black – Green	63.7mH
Black – Yellow	102.8mH
Black – White	158.7mH
Impedance	@ 1.0kHz, 1.0V OC
Primary – Blue – Brown	84.0K Ω
Black – Green	192.0 Ω
Black – Yellow	366.2 Ω
Black – White	645.8 Ω
Frequency Response	See graphs for specific response, Typ. ± 1.0 db from 30Hz to 30KHz
Dielectric Strength	2000Vrms
Temperature Range	-40 To 105 $^{\circ}$ C



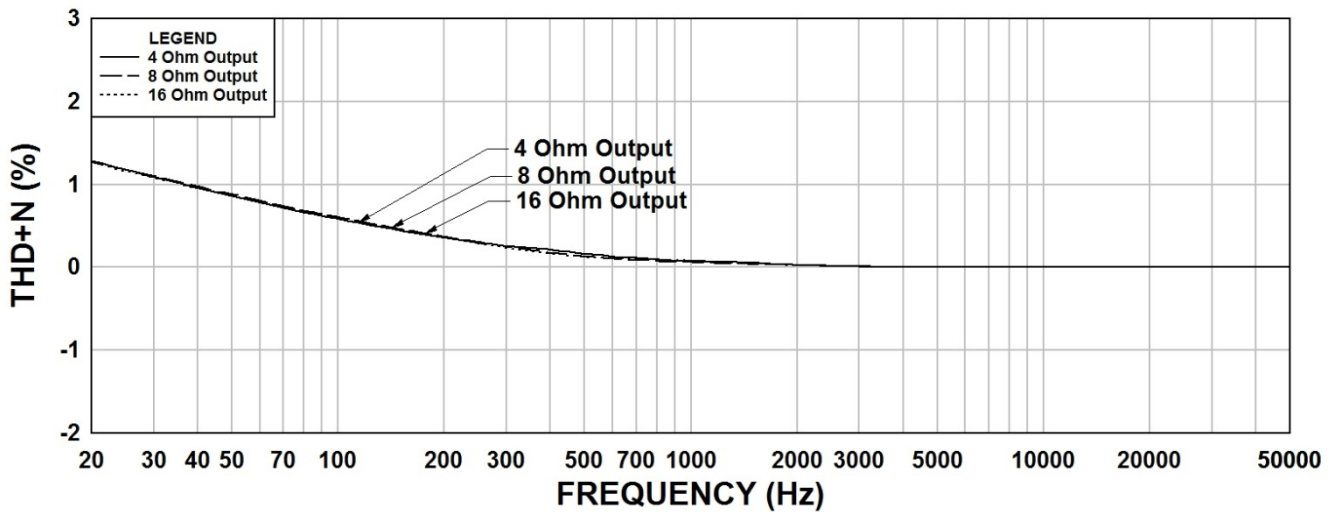
1620A Frequency Response $R_s = 6.6K$ Ohms



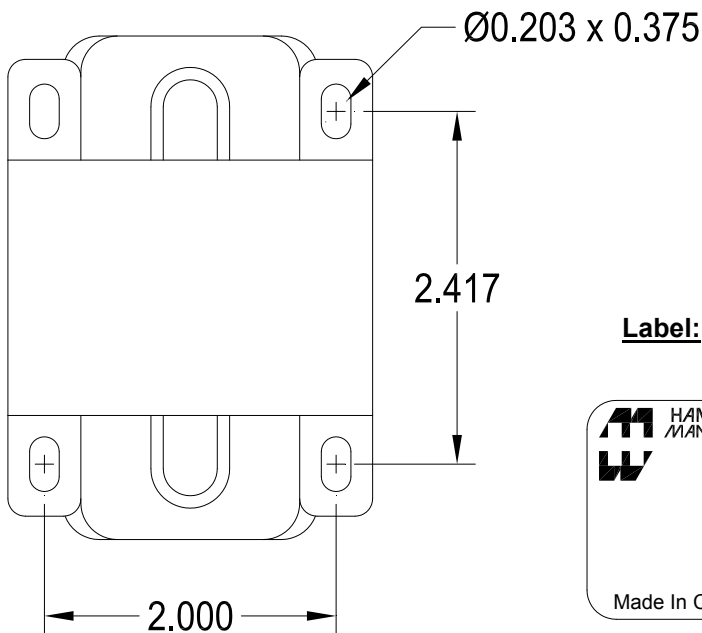
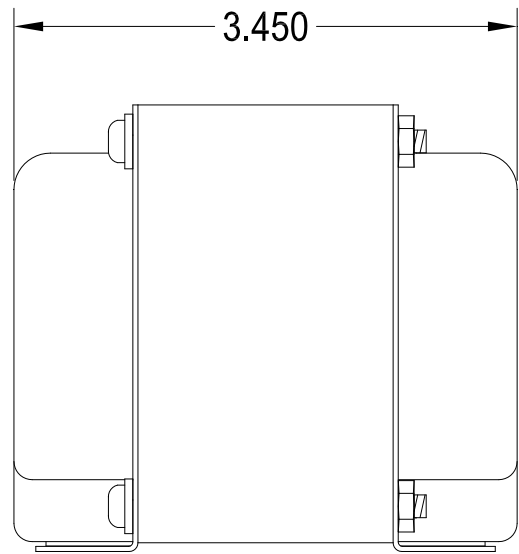
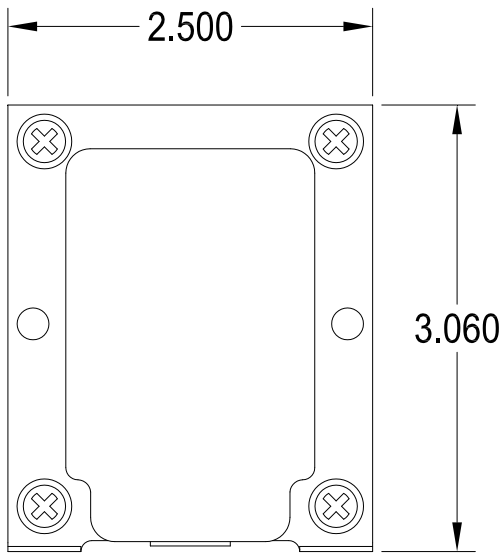
1620A Phase Shift $R_s=6.6K$ Ohms



1620A THD+N $R_s = 6.6K$ Ohms



Dimensional Details:



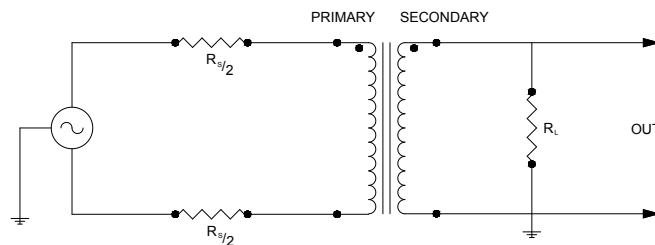
Label:

	HAMMOND MANUFACTURING.	1620A
	20WATTS 30Hz - 30KHz	BLK - GRN - YEL - WHT COM - 4OHM - 8OHM - 16OHM BLU - RED - BRN: 6600 OHMS CT BRN/YEL & BLU/YEL SCREEN TAPS 40% OF PRI VOLTS
Made In Canada	DATE	

TYPICAL TEST CIRCUIT

Measurement instruments
 Hp4192a impedance analyzer
 Hp3456a DVM
 Keithley 2002 DVM
 D scope series iii audio analyzer
 Wayne Kerr 3255B with a 3265B

* All graphs input level 20dbu.
 ** The results are typical and are subject to normal manufacturing and electrical tolerances.



This drawing and the information in it is the property of Hammond Manufacturing. It may not be reproduced, transmitted or used in any manner whatsoever without the written permission of Hammond Manufacturing. Data subject to change without notice.