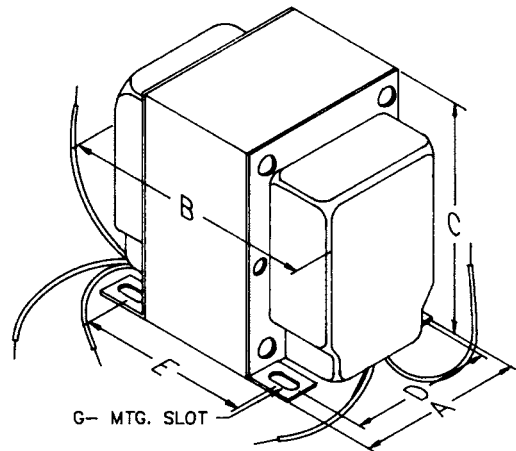


# Single Ended **Audiophile - Tube Output (1627-1642 Series)**



## SINGLE-ENDED "CLASSIC" TUBE OUTPUT - ULTRA-LINEAR

Tube Audio

- "Over designed" for high-fidelity, single ended, Class-A, tube output circuits (triode, tetrode or pentode tubes).
- Enclosed (shielded), four slot, chassis Type "X" mounting.
- Frequency response at least 20 Hz. to 20 KHz. at full rated power (+/- 1 db max., ref. 1 KHz.)
- Units are designed to provide ample "headroom" at bass frequencies (note the weight of each transformer).
- All models have a secondary tapped for 4, 8 or 16 ohm outputs.
- Insulated flexible leads 8" min.
- For maximum versatility, all units (except the 1642SE & 1638SEA) include a 40% screen tap for Ultra-Linear, tetrode/pentode operation (if desired).
- The 1642SE & 1638SEA do NOT include a screen tap as they were designed principally for high impedance triode tubes.
- High quality laminations, (M6) grain oriented silicon steel.
- Core is gapped to reduce core saturation in Class-A, tube amplifier circuits.
- For general purpose or replacement use in single ended, tube output circuits see our 125 "SE" series.

Part Number	Audio Watts	Primary			Ultra-Linear 40% Primary Tap	Hipot Test (VRMS)	Dimensions (Inches)						Wt. Lbs.
		Impedance	Max. DC Bias	Inductance Henrys			A	B	C	D	E	G Slot	
<b>1640SEA</b>	30	1,250	200 ma.	14	Yes	2,000	3.75	4.95	4.56	3.00	3.90	.203 x .375	11
<b>1627SEA</b>	30	2,500	160 ma.	20	Yes	2,000	3.75	4.50	4.56	3.00	3.13	.203 x .375	11
<b>1630SEA</b>	30	3,500	135 ma.	42	Yes	2,000	3.75	4.98	4.65	3.00	3.90	.203 x .375	11
<b>1628SEA</b>	30	5,000	120 ma.	48	Yes	2,000	3.75	4.50	4.56	3.00	3.13	.203 x .375	11
<b>1642SE</b>	75	5,000	300 ma.	53	No	3,500	4.38	7.50	5.25	3.50	5.88	.203 x .375	28
<b>1629SEA</b>	30	6,500	100 ma.	55	Yes	2,000	3.75	4.50	4.56	3.00	3.88	.203 x .375	11
<b>1638SEA</b>	30	10,000	90 ma.	88	No	2,000	3.75	4.50	4.56	3.00	3.13	.203 x .375	11



**CANADA**  
Guelph, Ontario (519) 822-2960  
St. Laurent, Quebec (514) 343-9010  
**USA**  
Cheektowaga, NY (716) 630-7030

[www.hammondmfg.com](http://www.hammondmfg.com)



**EUROPE**  
Basingstoke, UK 01256 812812

**AUSTRALIA**  
Queenstown, Australia 61-8-8240-2244

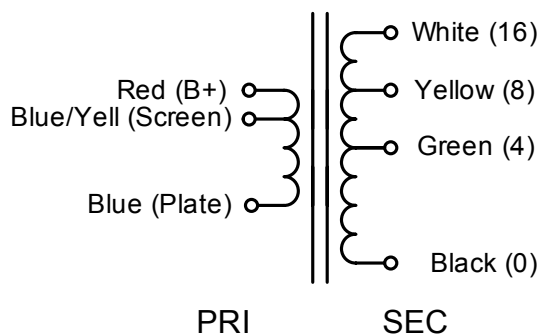
# Single Ended *Audiophile - Tube Output (1627-1642 Series)*

## Suggested Tube Types

Part No.	Triodes	Pentodes
<b>1640SEA</b>	Parallel - 2A3, 6A3, 6B4G, 300B, 572B, 811A	Parallel - 6550, 6CA7
<b>1627SEA</b>	2A3, 6A3, 6B4G, 300B	6CA7, 6L6, 807, 5881, 6550, Parallel - 6AQ5, 6V6, EL84
<b>1630SEA</b>	2A3, 6A3, 6B4G, 300B	6CA7, 6L6, 807, 5881, 6550, Parallel - 6AQ5, 6V6, EL84
<b>1628SEA</b>	211, 300B, 572B, 811A	6AQ5, 6V6, 6L6, 807, 5881, 6550, EL84
<b>1642SE</b>	Parallel - 211, 572, 811A, 845	-
<b>1629SEA</b>	211, 811A, 572B, 845	6AQ5, 6V6, 6L6, 807, 5881, 6550, EL84
<b>1638SEA</b>	211, 845	-

Note: The above examples of possible combinations are to help you narrow down the choices of transformers for your favorite tube types. How you operate the tubes (ultra-linear, bias, plate voltage, operating points etc.) will change optimum plate load impedance. Only a few of the most popular tubes are shown. A tube manual or tube manufacturer's technical data sheets should be consulted first, before making a decision on a proper output transformer.

## Transformer Schematic



Notes:

- The **1642SE** and **1638SEA** do not include a primary screen tap (as they are designed for triode applications).
- Red wire connects to B+
- Blue/Yell wire connects to screen (optional use)
- Blue wire connects to tube plate

Tube Audio

### EUROPE

Basingstoke, UK 01256 812812

### AUSTRALIA

Queenstown, Australia 61-8-8240-2244

[www.hammondmfg.com](http://www.hammondmfg.com)



### CANADA

Guelph, Ontario (519) 822-2960  
St. Laurent, Quebec (514) 343-9010

### USA

Cheektowaga, NY (716) 630-7030

