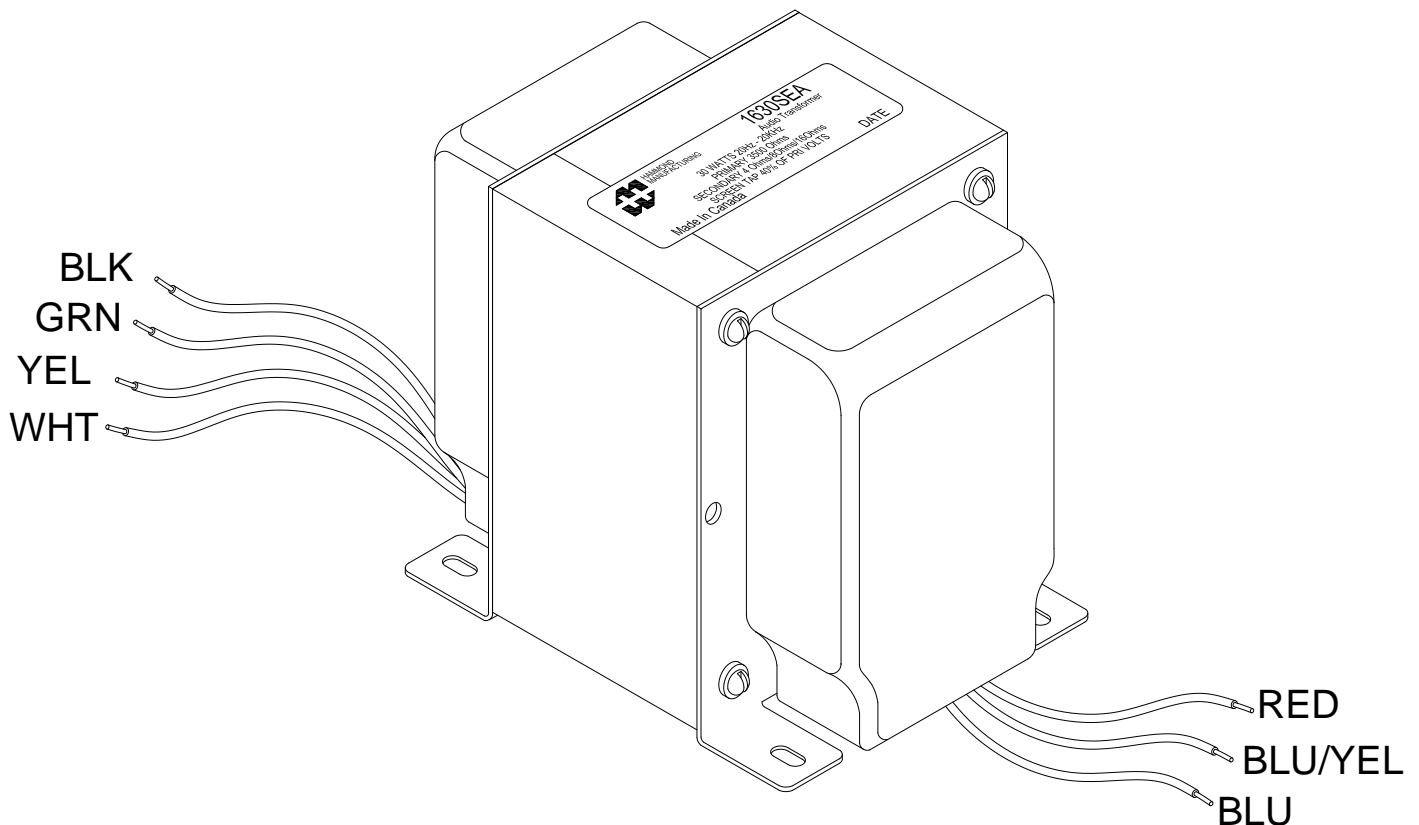




1630SEA

SINGLE ENDED "CLASSIC" TUBE OUTPUT TRANSFORMER – ULTRA-LINEAR

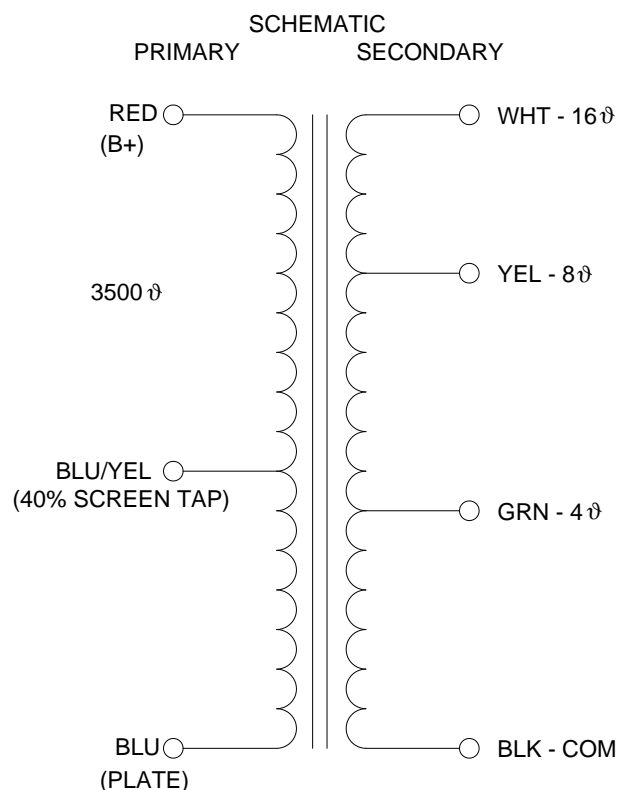
-) Over designed" for high fidelity, single ended, Class-A, tube output circuits (triode, tetrode or pentode tubes).
-) Enclosed (shielded), four slot, chassis Type "X" mounting.
-) Frequency response at least 20Hz. to 20Khz. at full rated power (+/- 1db max., ref. 1Khz.)
-) Insulated flexible leads 8" min.
-) For maximum versatility, all units (except the 1642SE & 1638SEA) include a 40% screen tap for Ultra-Linear, tetrode/pentode operation (if desired). The 1642SE & 1638SEA do NOT include this screen tap as they were designed principally for high impedance triode tubes.
-) High quality laminations, (M6) grain oriented silicon steel.
-) Core is gapped to reduce core saturation in Class-A tube amplifier circuits.
-) For general purpose or replacement use in single ended tube output circuits see our [125SE Series](#).



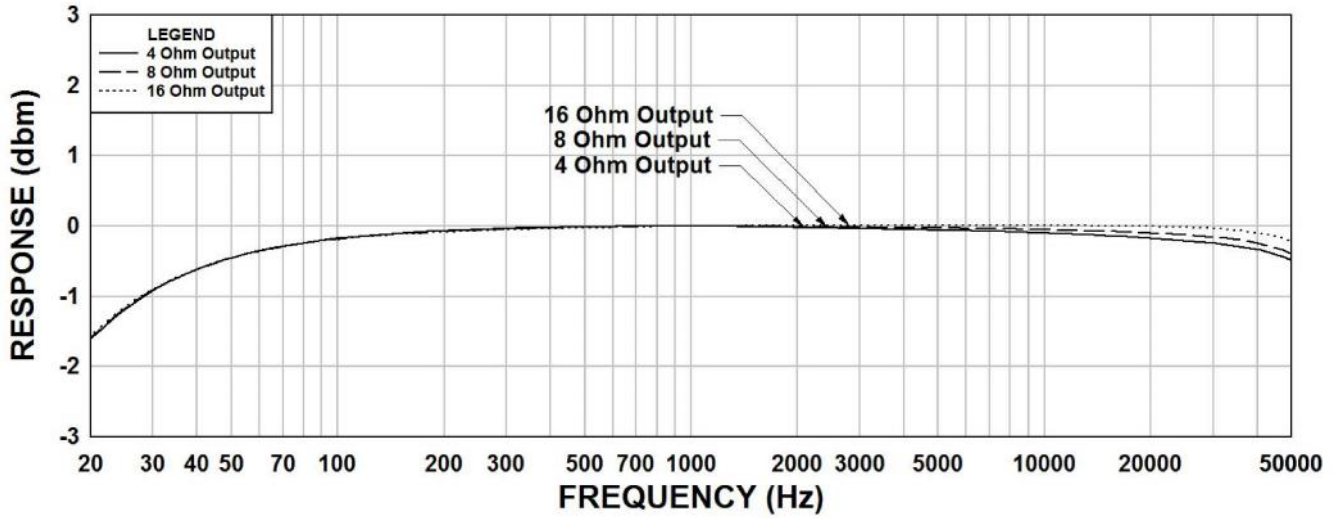
*For Full Dimensional Details see page 4

ELECTRICAL SPECIFICATIONS****Schematic and Hook Up Data**

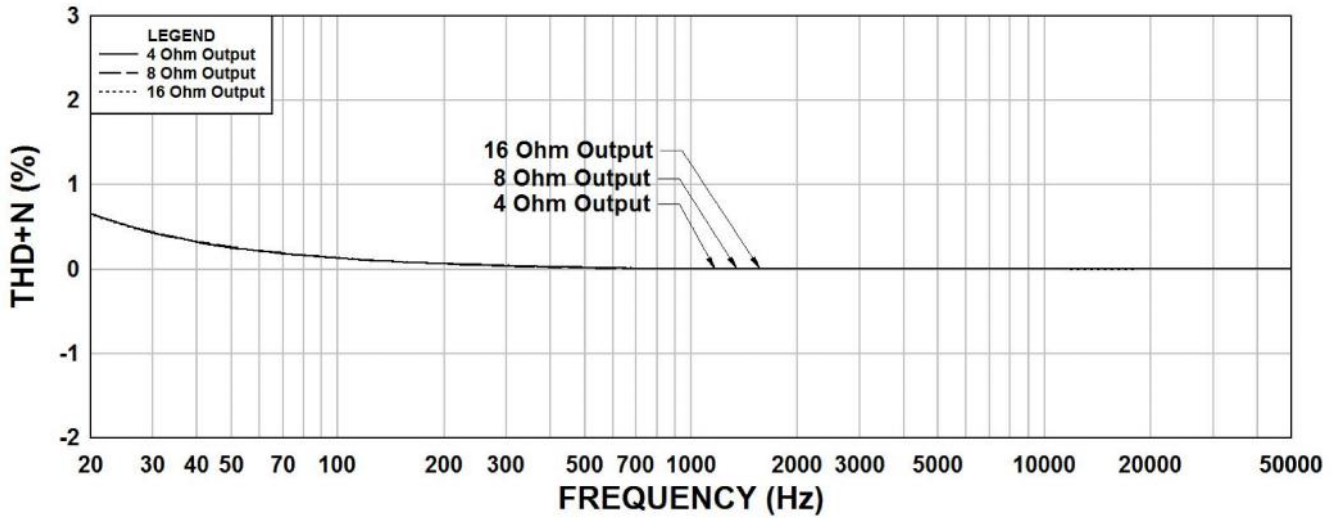
Characteristic	Typical
Input Impedance	3500 \varnothing
Output Impedance	4 \varnothing /8 \varnothing /16 \varnothing
Output Power	30Watts
Primary - DCR	
Blue – Red	114 \varnothing
Secondary DCR	
Black – Green	415m \varnothing
Black – Yellow	522m \varnothing
Black – White	732m \varnothing
Inductance	@ 1.0kHz, 1.0V OC
Primary – Blue – Red	15Hy
Black – Green	26.4mH
Black – Yellow	51.9mH
Black – White	98.7mH
Impedance	@ 1.0kHz, 1.0V OC
Primary – Blue – Red	92K \varnothing
Black – Green	157 \varnothing
Black – Yellow	306 \varnothing
Black – White	585 \varnothing
Frequency Response	See graphs for specific response, Typ. $\left\{ \begin{array}{l} 1.0\text{db from} \\ 20\text{Hz to } 20\text{KHz} \end{array} \right.$
Dielectric Strength	2000Vrms
Temperature Range	-40 To 105 \varnothing C



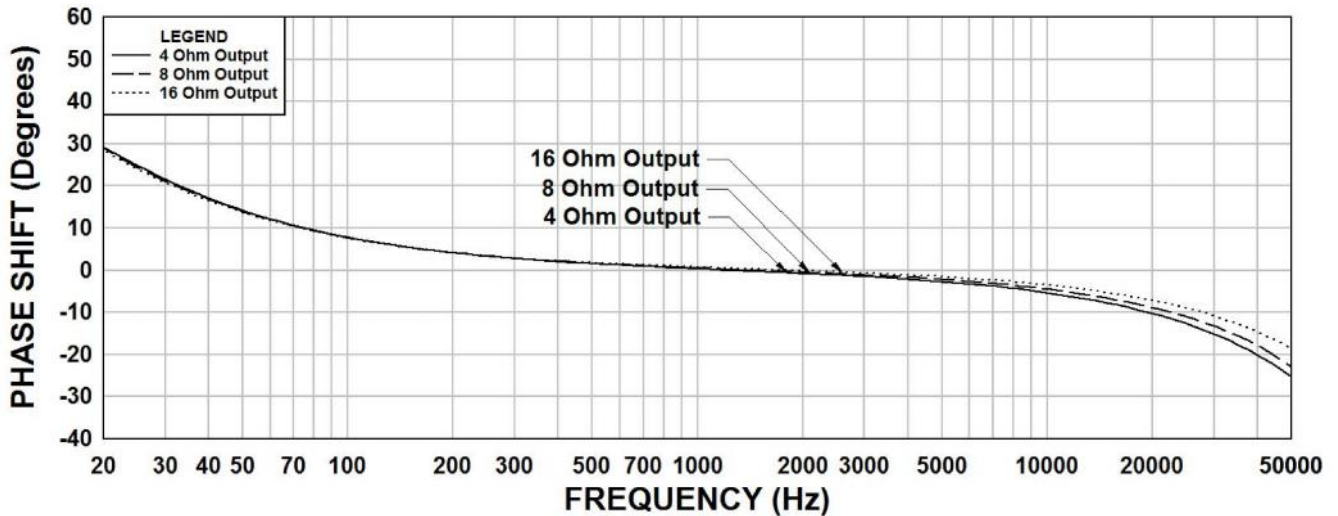
1630SEA Frequency Response $R_s = 3.5K$ Ohms



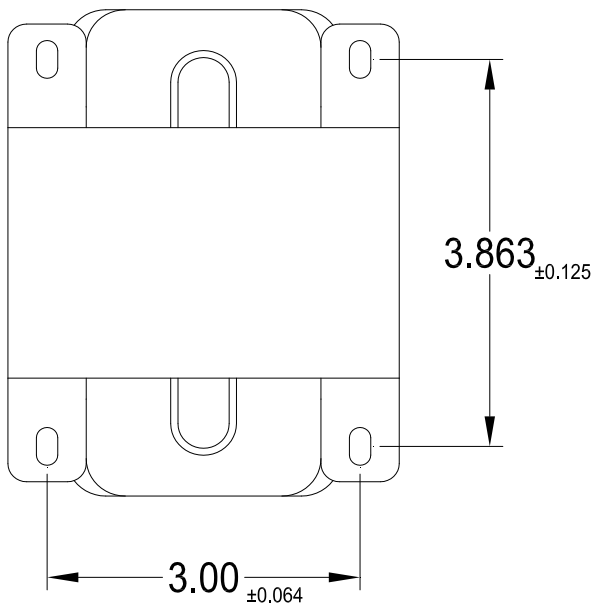
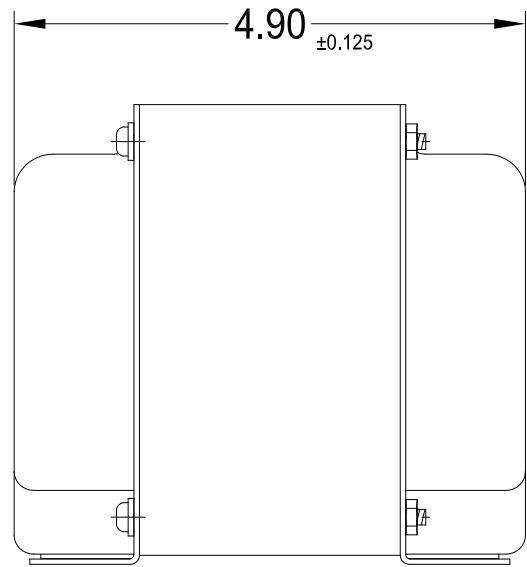
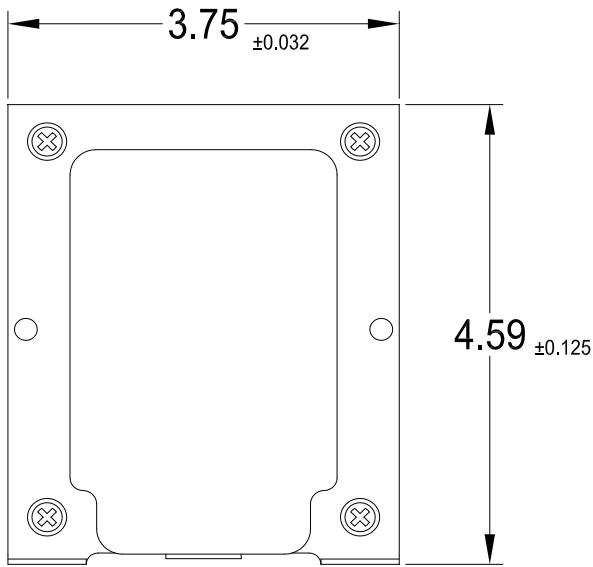
1630SEA THD+N $R_s = 3.5K$ Ohms



1630SEA Phase Shift $R_s = 3.5K$ Ohms



Dimensional Details:



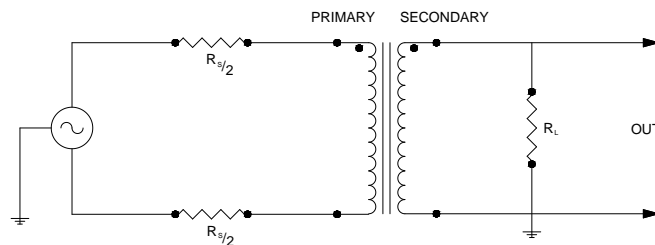
Label:

	HAMMOND MANUFACTURING.	1630SEA Audio Transformer
	30WATTS 20 - 20KHz PRIMARY 3500 Ohms SECONDARY 4 Ohms/8Ohms/16Ohms SCREEN TAP 40% OF PRI VOLTS	
Made In Canada		DATE

TYPICAL TEST CIRCUIT

Measurement instruments
 Hp4192a impedance analyzer
 Hp3456a DVM
 Keithley 2002 DVM
 D scope series iii audio analyzer
 Wayne Kerr 3255B with a 3265B

* All graphs input level 20dbu.
 ** The results are typical and are subject to normal manufacturing and electrical tolerances.



This drawing and the information in it is the property of Hammond Manufacturing. It may not be reproduced, transmitted or used in any manner whatsoever without the written permission of Hammond Manufacturing. Data subject to change without notice.