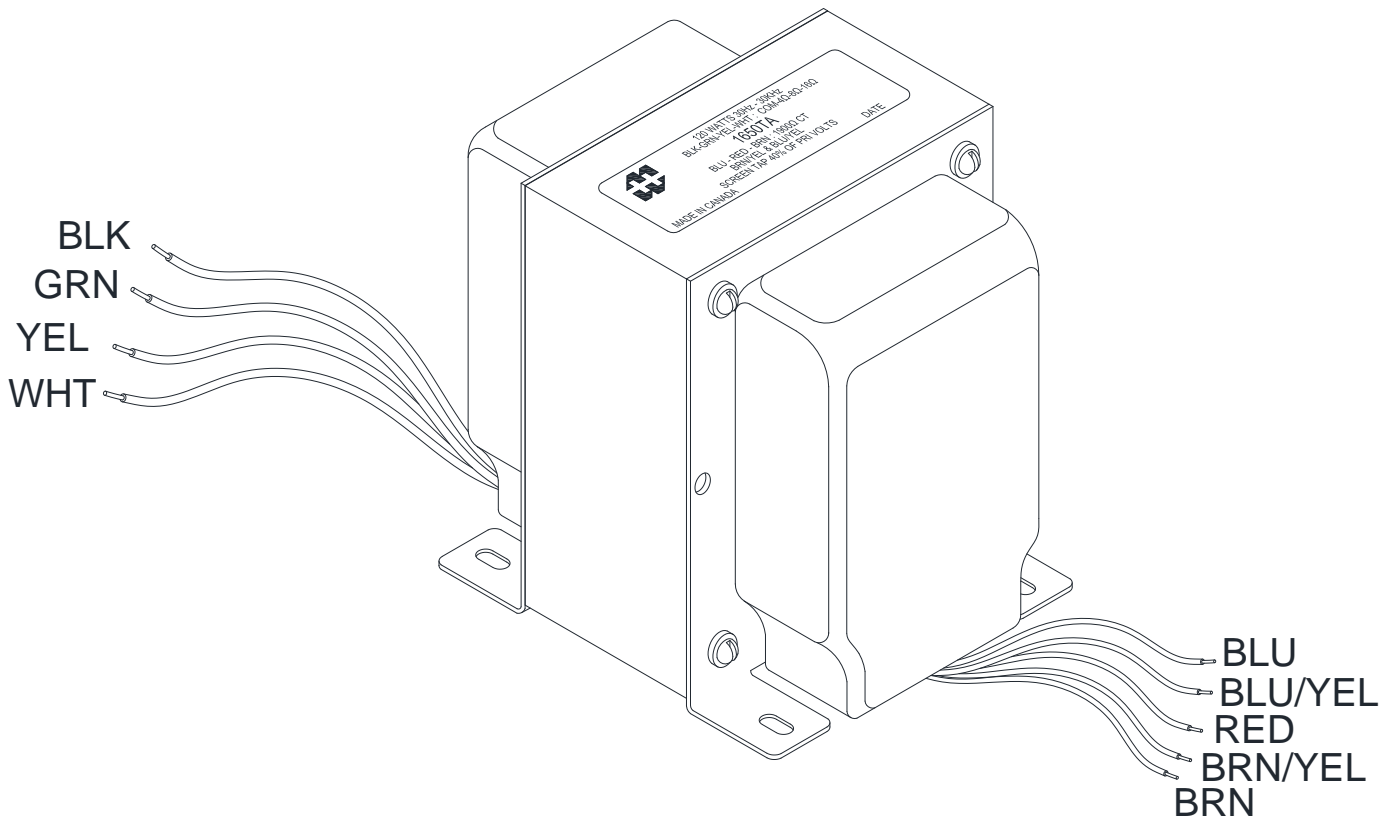




1650TA

HI-FI AUDIO OUTPUT MULTIPLE SECONDARY TRANSFORMER

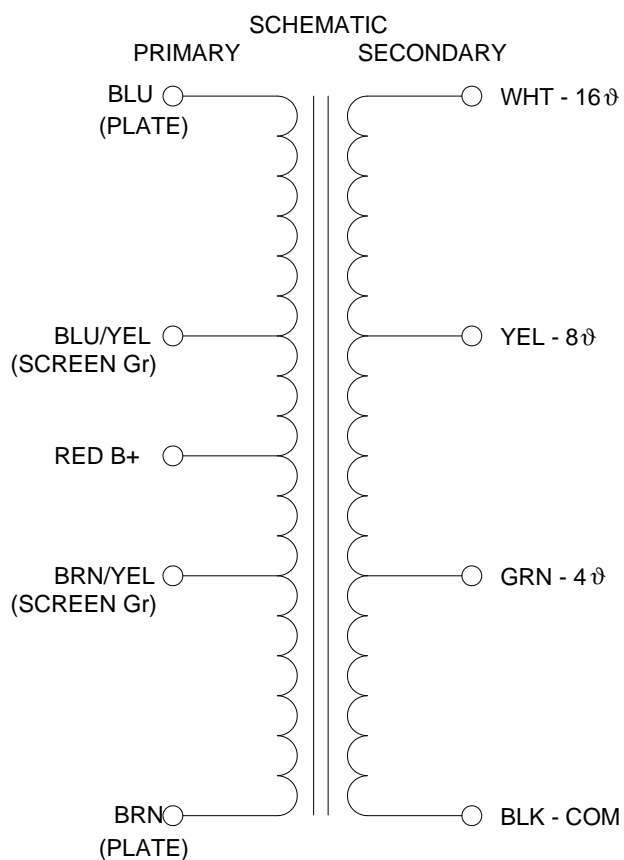
- NEW & improved version of our 1608-1650 Series multiple secondary output transformers (Re-designed secondaries for easy hook-up of secondary loads).
- Designed for push-pull tube output circuits.
- Units are designed to provide ample "headroom" at bass frequencies (Note the weight of each transformer).
- All models have a secondary tapped for 4, 8 or 16 ohm outputs.
- Enclosed (shielded), 4 slot, above chassis Type "X" mounting.
- Manufactured with plastic coil forms for coil support and insulation.
- Frequency response 30Hz. to 30Khz. at full rated power (+/- 1db max. - ref. 1Khz) minimum.
- Insulated flexible leads 8" min.
- Included 40% screen taps for Ultra-Linear operation (if desired).
- Typical applications - Push-Pull: triode, Ultra-Linear pentode, pentode and tetrode connected audio output.
- Suggested tube types: Push-Pull Par. (4 or 6 Tubes) 6L6GC, 5881, EL34, 6550B, KT88



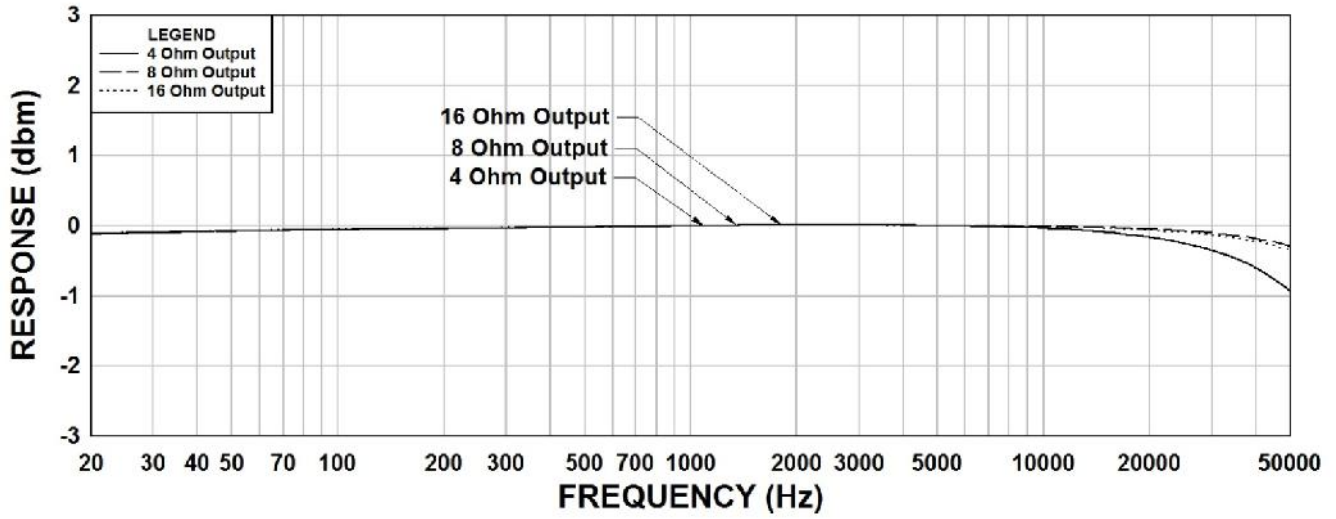
*For Full Dimensional Details see page 4

1650TA ELECTRICAL SPECIFICATIONS****Schematic and Hook Up Data**

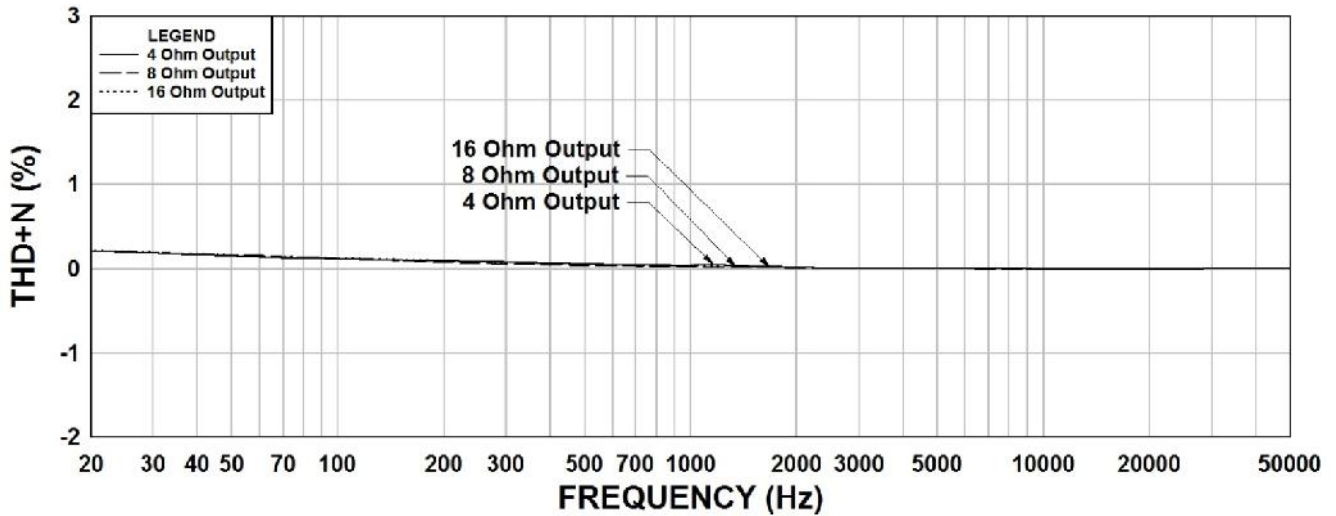
Characteristic	Typical
Input Impedance	1900 \varnothing
Output Impedance	4 \varnothing /8 \varnothing /16 \varnothing
Output Power	120Watts
Primary - DCR	
Blue – Brown	47.0 \varnothing
Secondary DCR	
Black – Green	221m \varnothing
Black – Yellow	294m \varnothing
Black – White	370m \varnothing
Leakage Inductance @ 1.0kHz, 1.0V SC	
Primary – Blue – Brown	63.72mH
Inductance @ 1.0kHz, 1.0V OC	
Primary – Blue – Brown	11.2Hy
Black – Green	229.6mH
Black – Yellow	282.1mH
Black – White	399.6mH
Impedance @ 1.0kHz, 1.0V OC	
Primary – Blue – Brown	71K \varnothing
Black – Green	505.2 \varnothing
Black – Yellow	922.8 \varnothing
Black – White	1554.0 \varnothing
Frequency Response	See graphs for specific response, Typ. $\{$ 1.0db from 30Hz to 30KHz
Dielectric Strength	2000Vrms
Temperature Range	-40 To 105 $\{$ C



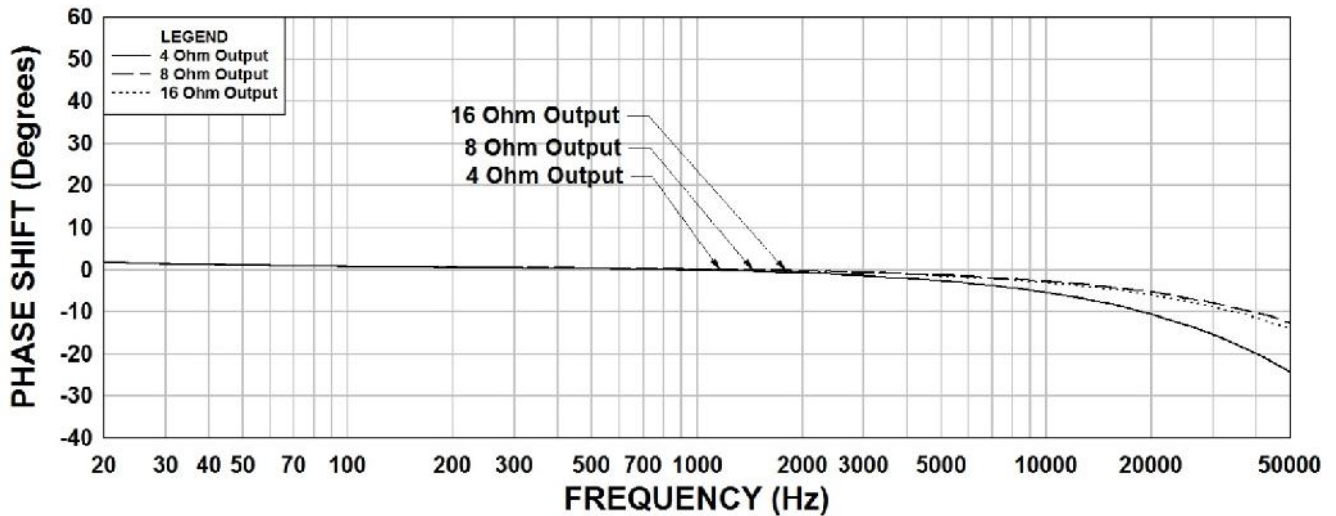
1650TA Frequency Response $R_s = 1.9K$ Ohms



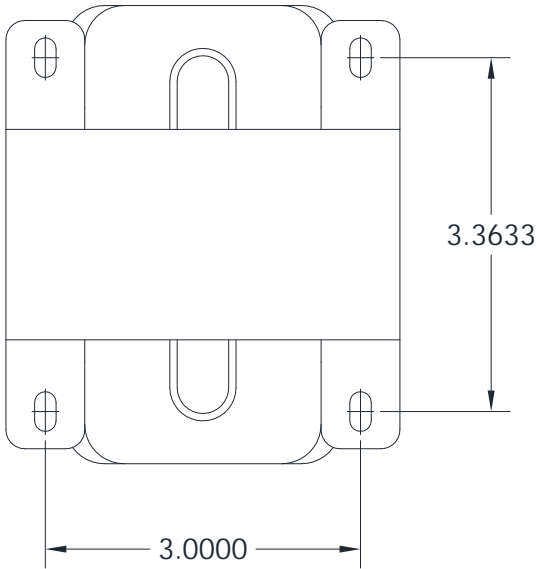
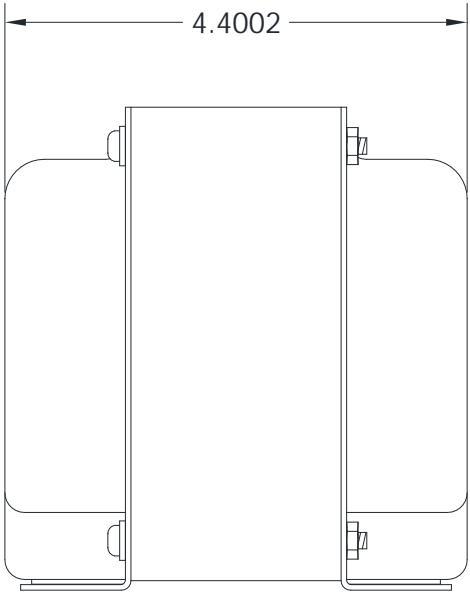
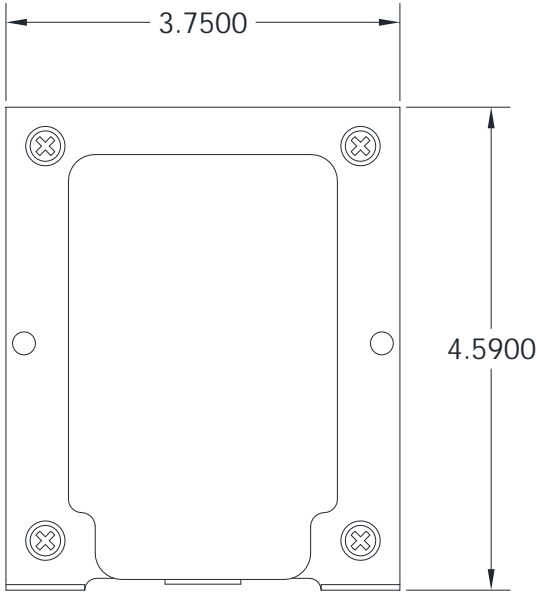
1650TA THD+N $R_s = 1.9K$ Ohms




1650TA Phase Shift $R_s = 1.9K$ Ohms



Dimensional Details:



Label:

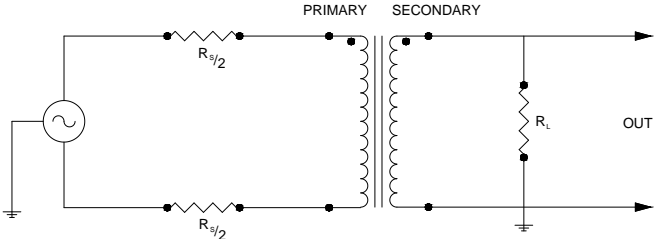


120WATTS 30Hz - 30KHz
 BLK-GRN-YEL-WHT : COM-4 \emptyset -8 \emptyset -16 \emptyset
1650TA
 BLU - RED - BRN: 1900 \emptyset CT
 BRN/YEL & BLU/YEL
 SCREEN TAPS 40% OF PRI VOLTS
 Made In Canada DATE

TYPICAL TEST CIRCUIT

Measurement instruments
 Hp4192a impedance analyzer
 Hp3456a DVM
 Keithley 2002 DVM
 D scope series iii audio analyzer
 Wayne Kerr 3255B with a 3265B

* All graphs input level 20dbu.
 ** The results are typical and are subject to normal manufacturing and electrical tolerances.



This drawing and the information in it is the property of Hammond Manufacturing. It may not be reproduced, transmitted or used in any manner whatsoever without the written permission of Hammond Manufacturing. Data subject to change without notice.