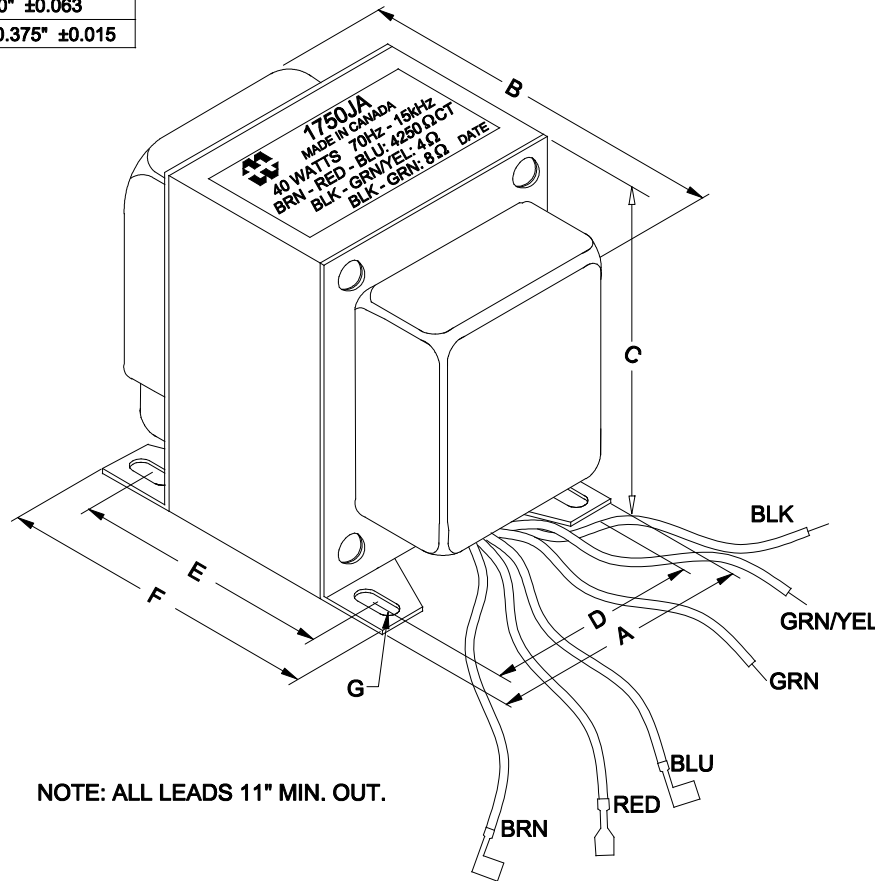
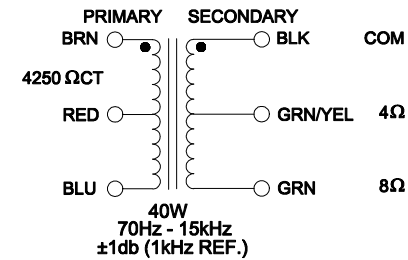


DIMENSIONS:	
A	2.500" ±0.063
B	3.150" ±0.125
C	3.256" ±0.063
D	2.000" ±0.063
E	2.150" ±0.063
F	2.650" ±0.063
G	0.188" x 0.375" ±0.015



NOTE: ALL LEADS 11" MIN. OUT.



ELECTRICAL DATA:		
TESTS	CONDITIONS	ACCEPTANCE CRITERIA
I _{ex}	@ 240V, 60Hz, BRN - BLU	3.5mA Max.
Sec. N.L.V	@ 240V, 60Hz, BRN - BLU	
	BRN - RED = RED - BLU =	120.0V ±2%
	BLK - GRN/YEL =	7.626V ±2%
	BLK - GRN =	10.77V ±2%
Polarity	BRN, BLK	IN PHASE
DCR	@ 20°C, BRN - RED =	82.00 Ω ±20%
	@ 20°C, RED - BLU =	108.3 Ω ±20%
	@ 20°C, BLK - GRN/YEL =	0.253 Ω ±20%
	@ 20°C, BLK - GRN =	0.462 Ω ±20%
HIPOT	PRIMARY - SECONDARY	2000V, 60Hz, 1 SEC

REV.#	REVISION	DATE	HAMMOND ELECTRONIC DIVISION		52 RANKIN PLACE, WATERLOO, ONTARIO, N2J 3Z5		PH # (519) 886-6181
0	RELEASED.	02/22/11	MANUFACTURING™				FAX # (519) 886-9540
			DWG. BY: C. ILIE	CHK'D BY:	TITLE: 1750JA	DWG. NO.	
			DATE: 02/22/11	APP'D. BY:	TRANSFORMER	1750JA	
				DIMENSIONS: IN(X) MM()			