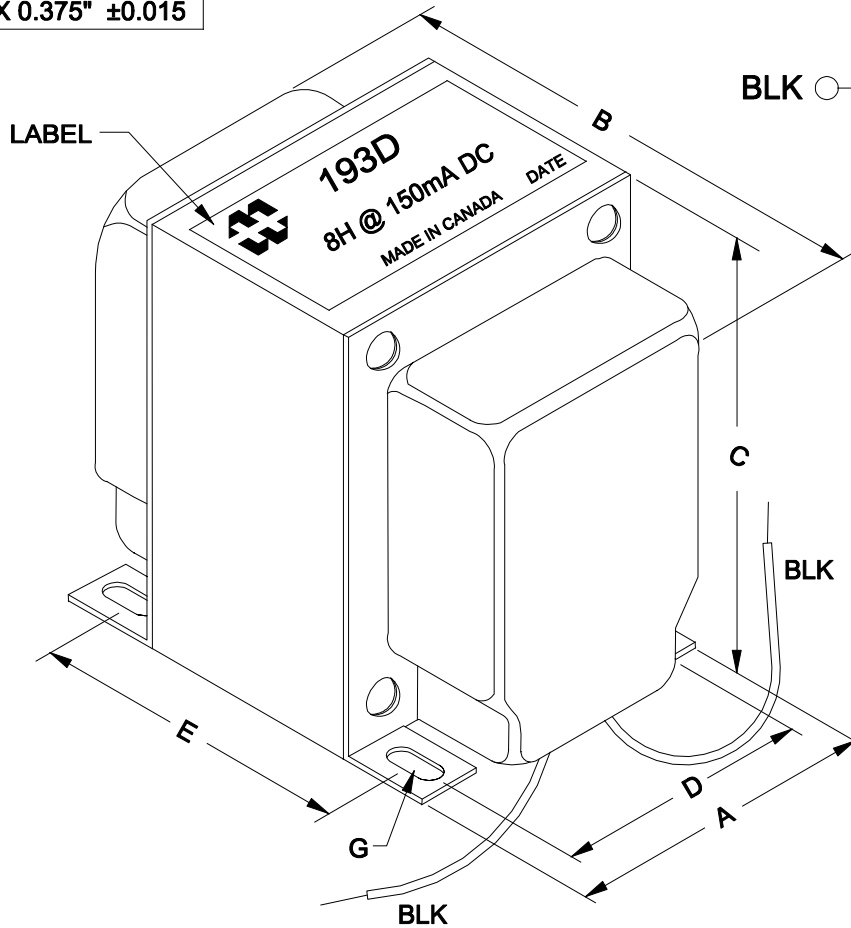
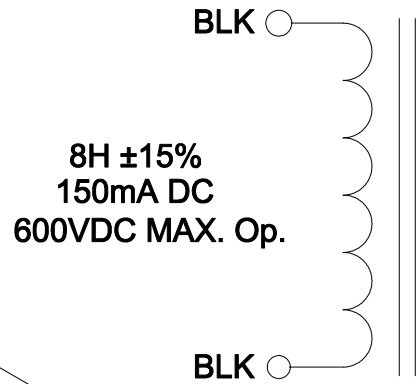


DIMENSIONS:	
A	2.500" ±0.063
B	3.185" ±0.125
C	3.060" ±0.063
D	2.000" ±0.063
E	2.188" ±0.063
G	0.203" X 0.375" ±0.015



NOTE: ALL LEADS 8" OUT MIN., STRIPPED .5"

ELECTRICAL DATA:		
TESTS	CONDITIONS	ACCEPTANCE CRITERIA
INDUCTANCE	@ 30V, 60Hz, 150mA DC, BLK - BLK	8H ±15%
DCR	@ 20°C, BLK - BLK =	77.05 Ω ±15%
HIPOT	PRIMARY - SECONDARY	2000V, 60Hz, 1 SEC

HAMMOND
MANUFACTURING™

ELECTRONIC DIVISION
52 RANKIN PLACE,
WATERLOO, ONTARIO, N2J 3Z5
PH # (519) 886-6181
FAX # (519) 886-9540

TITLE

INDUCTOR

NO	DATE	REVISION	DWG. BY
0	11/22/21	RELEASED.	C. ILIE
			DATE
			11/22/21
			DIM IN(X)MM()

193D