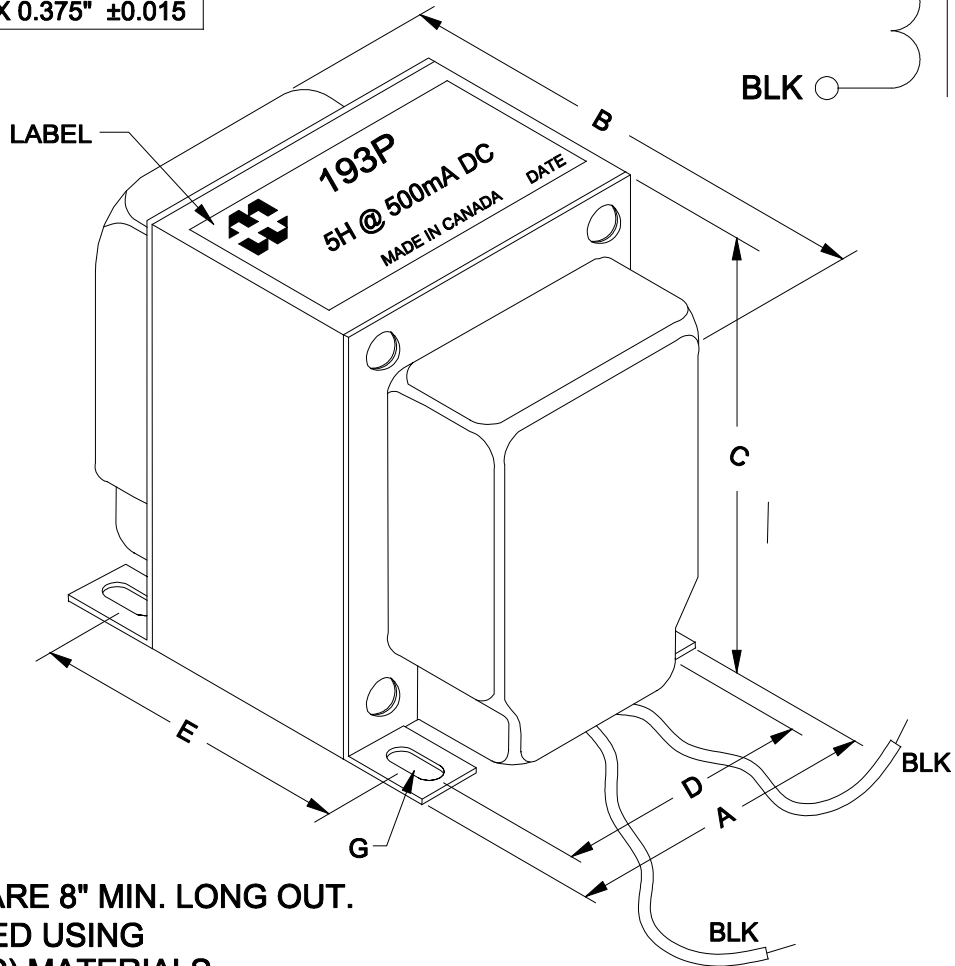
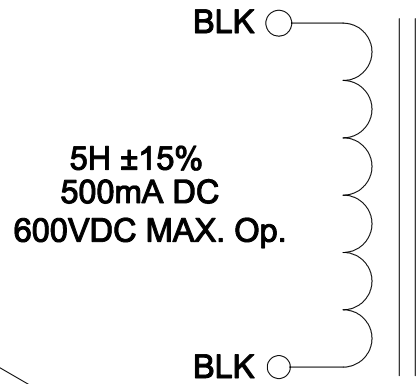


DIMENSIONS:	
A	3.750" ±0.063
B	4.436" ±0.125
C	4.560" ±0.063
D	3.000" ±0.063
E	3.390" ±0.063
G	0.203" X 0.375" ±0.015



NOTE: LEADS ARE 8" MIN. LONG OUT.
MANUFACTURED USING
CLASS B (130°C) MATERIALS.
RoHS COMPLIANT

ELECTRICAL DATA:		
TESTS	CONDITIONS	ACCEPTANCE CRITERIA
INDUCTANCE	@ 30V, 60Hz, 500mA DC, BLK - BLK	5H ±15%
DCR	@ 20°C, BLK - BLK =	28.02 Ω ±15%
HIPOT	PRIMARY - SECONDARY	2000V, 60Hz, 1 SEC



ELECTRONIC DIVISION
52 RANKIN PLACE,
WATERLOO, ONTARIO, N2J 3Z5
PH # (519) 886-6181
FAX # (519) 886-9540

TITLE

INDUCTOR

NO	DATE	REVISION	DWG. BY
0	11/29/23	RELEASED.	C. ILIE
			DATE
			11/29/23
			DIM IN(X)MM()

193P