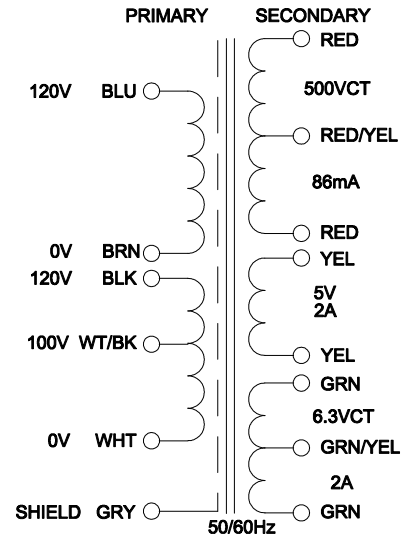
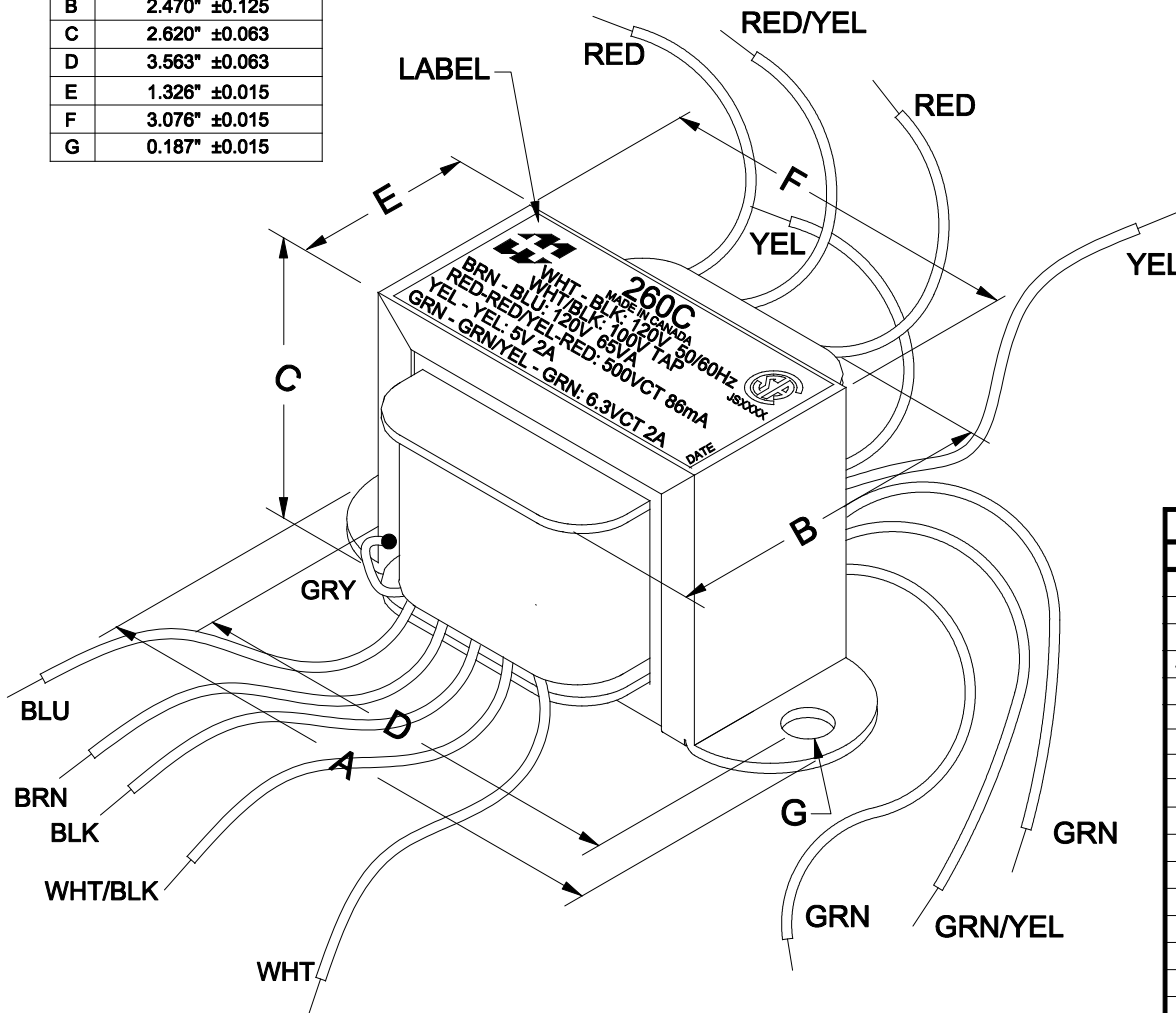


DIMENSIONS:	
A	4.031" ±0.063
B	2.470" ±0.125
C	2.620" ±0.063
D	3.563" ±0.063
E	1.326" ±0.015
F	3.076" ±0.015
G	0.187" ±0.015



NOTE: ALL LEADS 5" OUT MIN. STRIPPED 0.5"

ELECTRICAL DATA:			
TESTS	CONDITIONS	ACCEPTANCE CRITERIA	
Iex	@ 120V, 60Hz, WHT - BLK	93.6mA	Max.
Sec. N.L.V	@ 120V, 60Hz, WHT - BLK		
	WHT - WHT/BLK =	100.2V	±2%
	BRN - BLU =	120.0V	±2%
	RED - RED =	544.7V	±2%
	RED - RED/YEL = RED/YEL - RED =	272.3V	±2%
	YEL - YEL =	5.633V	±2%
	GRN - GRN =	7.347V	±2%
	GRN - GRN/YEL = GRN/YEL - GRN =	3.673V	±2%
DCR	@ 20°C, WHT - BLK =	13.55 Ω	±20%
	@ 20°C, BRN - BLU =	14.68 Ω	±20%
	@ 20°C, RED - RED =	237.4 Ω	±20%
	@ 20°C, YEL - YEL =	0.130 Ω	±20%
	@ 20°C, GRN - GRN =	0.279 Ω	±20%
HIPOT	PRIMARY - SECONDARY	2500V, 60Hz, 1 SEC	

REV.#	REVISION	DATE
0	RELEASED.	C.I. 09/08/21

HAMMOND ELECTRONIC DIVISION
MANUFACTURING 52 RANKIN PLACE, WATERLOO, ONTARIO, N2J 3Z5
 PH # (519) 886-6181
 FAX # (519) 886-9540

DWG. BY: C. ILIE	CHK'D BY:	TITLE: POWER TRANSFORMER	DWG. NO. 260C
DATE: 09/08/21	APP'D. BY:		
	DIMENSIONS: IN(X) MM()		