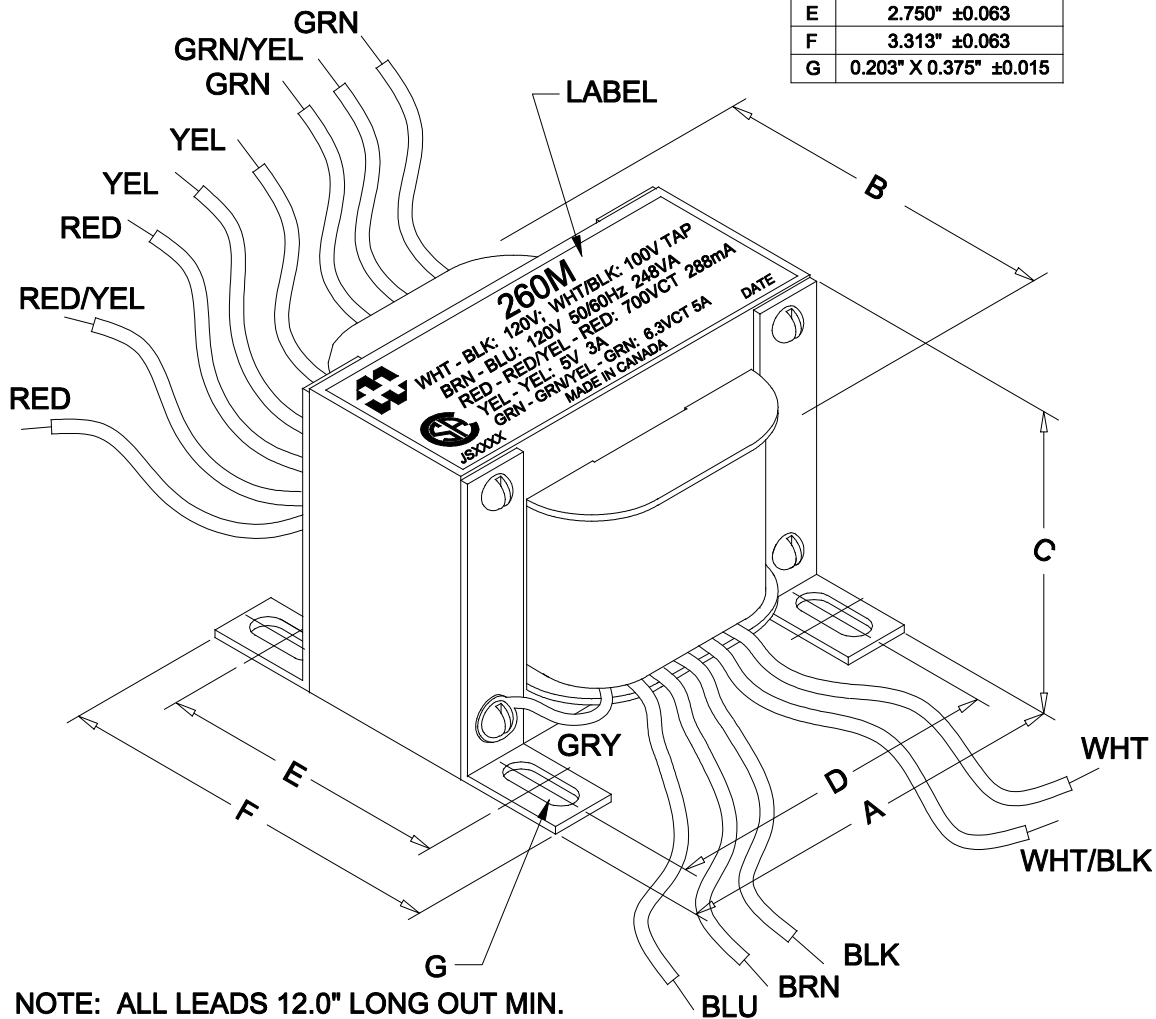
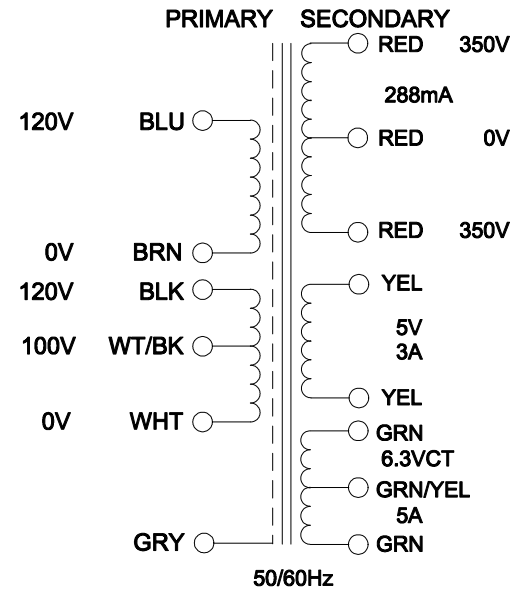


DIMENSIONS:	
A	4.500" ±0.063
B	3.450" ±0.125
C	3.750" ±0.063
D	3.750" ±0.063
E	2.750" ±0.063
F	3.313" ±0.063
G	0.203" X 0.375" ±0.015



NOTE: ALL LEADS 12.0" LONG OUT MIN.



ELECTRICAL DATA:			
TESTS	CONDITIONS	ACCEPTANCE CRITERIA	
I _{ex}	@ 120V, 60Hz, WHT - BLK	413mA	Max.
Sec. N.L.V	@ 120V, 60Hz, WHT - BLK		
	WHT - WHT/BLK =	100.2V	±2%
	BRN - BLU =	120.0V	±2%
	RED - RED =	742.3V	±2%
	RED - RED/YEL = RED/YEL - RED =	371.1V	±2%
	YEL - YEL =	5.323V	±2%
	GRN - GRN/YEL = GRN/YEL - GRN =	3.387V	±2%
	GRN - GRN =	6.774V	±2%
DCR	@ 20°C, WHT - BLK =	1.978 Ω	±20%
	@ 20°C, BRN - BLU =	2.170 Ω	±20%
	@ 20°C, RED - RED =	61.17 Ω	±20%
	@ 20°C, YEL - YEL =	0.047 Ω	±20%
	@ 20°C, GRN - GRN =	0.031 Ω	±20%
HIPOT	PRIMARY - SECONDARY	2500V, 60Hz, 1 SEC	

REV.#	REVISION	DATE
0	RELEASED.	C.I. 07/03/18

HAMMOND MANUFACTURING™ ELECTRONIC DIVISION
 52 RANKIN PLACE, WATERLOO, ONTARIO, N2J 3Z5
 PH # (519) 886-6181 FAX # (519) 886-9540

DWG. BY: C. ILIE	CHK'D BY:	TITLE: POWER TRANSFORMER	DWG. NO. 260M
DATE: 07/03/18	APP'D. BY:		
	DIMENSIONS: IN(X) MM()		