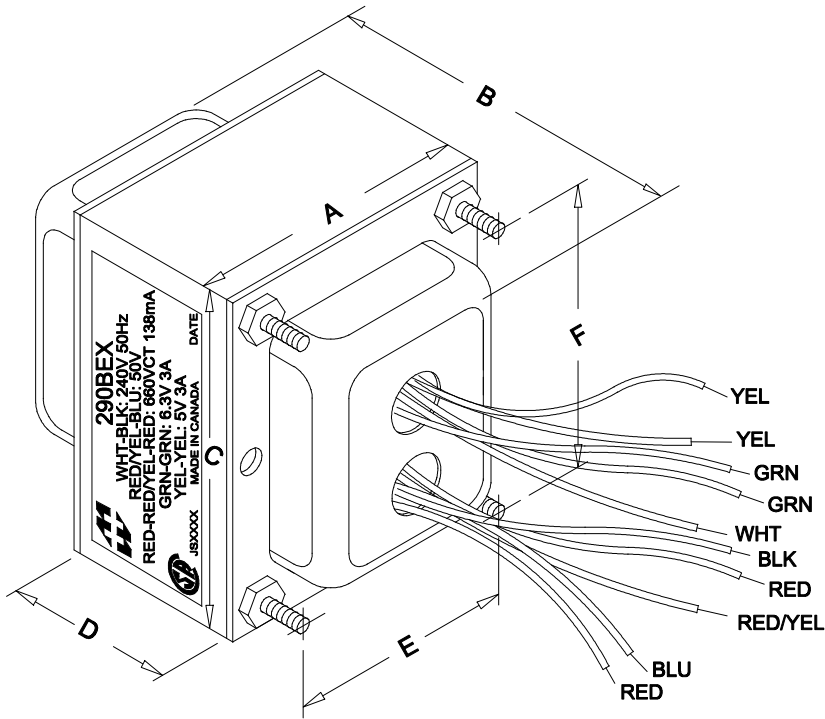
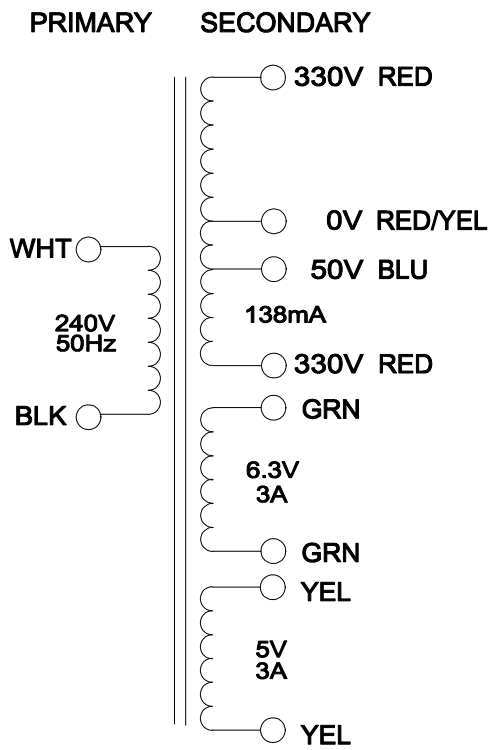


290BEX



NOTE: ALL LEADS 9" OUT MIN., STRIPPED .5"

| DIMENSIONS: | |
|-------------|----------------|
| A | 2.813" ± 0.063 |
| B | 4.063" ± 0.125 |
| C | 3.375" ± 0.063 |
| D | 2.048" ± 0.063 |
| E | 2.250" ± 0.063 |
| F | 2.813" ± 0.063 |



| ELECTRICAL DATA: | |
|--------------------|---|
| Turns ratio: | 1 : 2.95 (RED - RED) |
| Exciting Current | @ 240V, 50Hz, WHT - BLK = 165mA Max. |
| DCR | @ 20C, WHT - BLK = 11.941Ω ±20% |
| | @ 20C, RED - RED = 112.5 Ω ±20% |
| | @ 20C, GRN - GRN = 0.073 Ω ±20% |
| | @ 20C, YEL - YEL = 0.061 Ω ±20% |
| Pri. Voltage | 240V 50Hz |
| Sec. Voltage (RMS) | 660VCT @ 138mA C/W 50V TAP, 6.3V @ 3A / 5V @ 3A |
| No Load Voltage | 701.89VCT / 6.79V / 5.43V |

HAMMOND ELECTRONICS
52 RANKIN PLACE,
WATERLOO, ONTARIO, N2L 3Z5.
PHONE (519) 886-6181
FAX # (519) 886-9540

| TITLE | | 290BEX | |
|-------|----------|----------|----------------|
| | | DR BY | IOAN POP |
| 1 | 08/11/09 | DATE | 05/12/09 |
| NO | DATE | REVISION | DIM IN(X)MM() |

290BEX