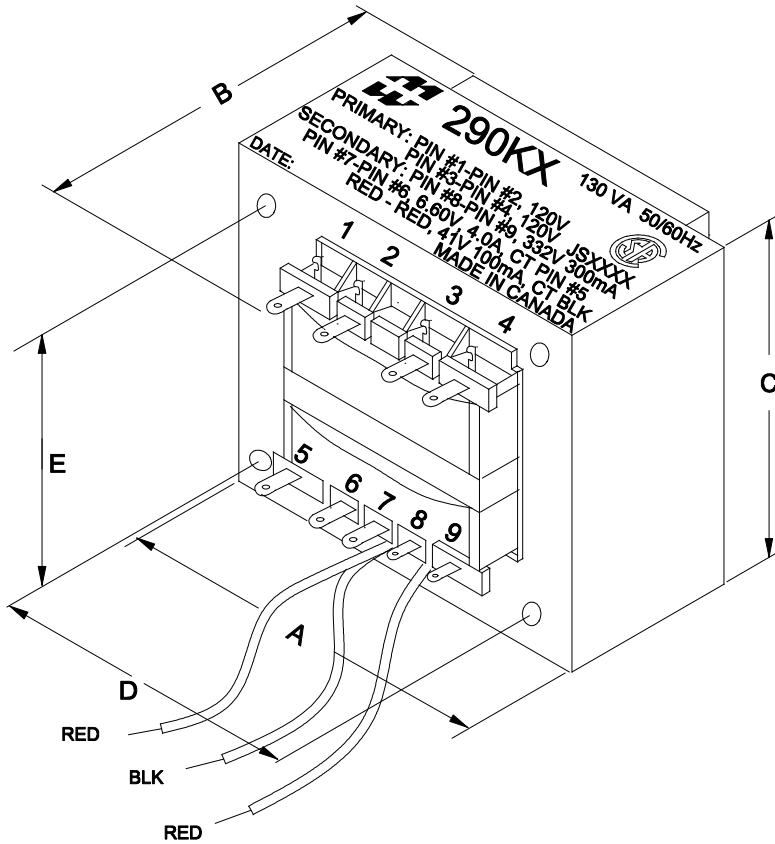
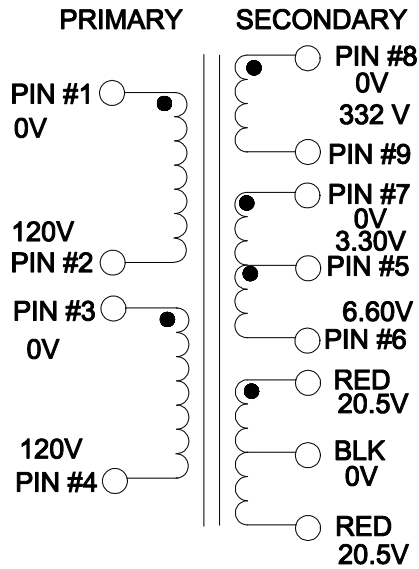


290KX



DIMENSIONS:

A	3.780" ±0.063
B	4.050" ±0.063
C	3.160" ±0.063
D	3.150" ±0.063
E	2.520" ±0.063
G	0.215" ±0.010



ELECTRICAL DATA:

Turns ratio:	1 : 2.88 (PIN8 - PIN9)	
Exciting Current	@ 120V, 60Hz, Pin 1 - Pin 2 = 193mA	Max.
DCR	@ 25C, Pin 1 - Pin 2 = 3.36 Ω	±20%
	@ 25C, Pin 3 - Pin 4 = 3.80 Ω	±20%
DCR	@ 25C, Pin 8 - Pin 9 = 20.1 Ω	±20%
	@ 25C, Pin 7 - Pin 6 = 0.04 Ω	±20%
DCR	@ 25C, RED - RED = 12.0 Ω	±20%
	Pri. Voltage 120V / 120V 50/60Hz	
Sec. Voltage (RMS)	332V @ 300mA / 41VCT @ 100mA / 6.60VCT @ 4.0 A	
No Load Voltage	345V / 43.46V / 6.91 V	



52 RANKIN PLACE,
WATERLOO, ONTARIO, N2L 3Z5.
PHONE (519) 886-6181
FAX # (519) 886-9540

TITLE **POWER TRANSFORMER**

2	08/29/17	load current was 100ma / 2.5A	D.H.	DR BY IOAN POP
1	08/11/09	PRELIMINARY.	I.P.	DATE 05/12/09
NO	DATE	REVISION	DIM IN(X)MM()	

290KX