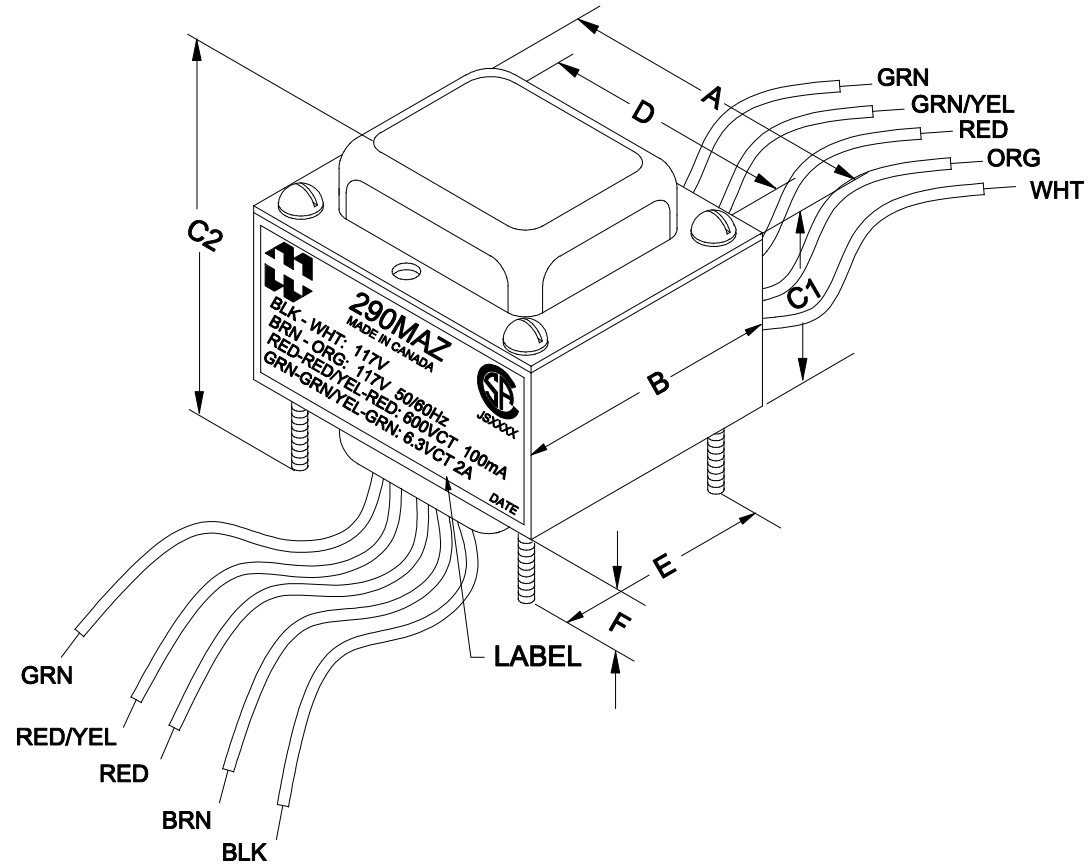
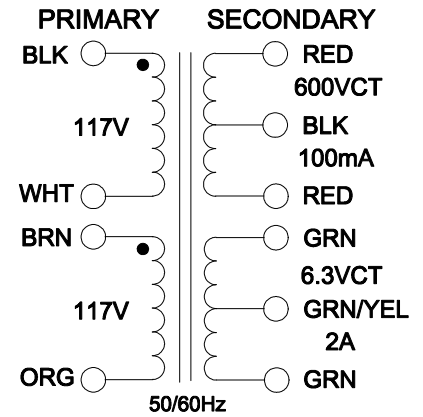


DIMENSIONS:	
A	3.000" ±0.063
B	2.500" ±0.063
C1	1.530" ±0.063
C2	3.156" ±0.125
D	2.500" ±0.063
E	2.000" ±0.063
F	0.750" ±0.125



290MAZ
 MADE IN CANADA
 BLK - WHT: 117V
 BRN - ORG: 117V
 RED-RED/YEL-RED: 600VCT 100mA
 GRN-GRN/YEL-GRN: 6.3VCT 2A
 50/60Hz
 DATE

NOTE: ALL LEADS 12.0" MIN. OUT. STRIP 0.5"

ELECTRICAL DATA:		
TESTS	CONDITIONS	ACCEPTANCE CRITERIA
lex	@ 117V, 60Hz, BLK - WHT	130.8mA Max.
Sec. N.L.V	@ 117V, 60Hz, BLK - WHT	
	BRN - ORG =	117.0V ±2%
	RED - RED/YEL = RED/YEL - RED =	316.5V ±2%
	RED - RED =	633.1V ±2%
	GRN - GRN/YEL = GRN/YEL - GRN =	3.326V ±2%
	GRN - GRN =	6.651V ±2%
DCR	@ 20°C, BLK - WHT =	7.460 Ω ±20%
	@ 20°C, BRN - ORG =	8.161 Ω ±20%
	@ 20°C, RED - RED =	160.0 Ω ±20%
	@ 20°C, GRN - GRN =	0.090 Ω ±20%
HIPOT	PRIMARY - SECONDARY	3000V, 60Hz, 1 SEC

REV.#	REVISION	DATE
0	RELEASED.	C.I. 07/17/18

HAMMOND ELECTRONIC DIVISION
MANUFACTURING 52 RANKIN PLACE,
 WATERLOO, ONTARIO, N2J 3Z5 PH # (519) 886-6181
 FAX # (519) 886-9540

DWG. BY: C. ILIE	CHK'D BY:	TITLE: POWER TRANSFORMER	DWG. NO. 290MAZ
DATE: 07/17/18	APP'D. BY:		
	DIMENSIONS: IN(X) MM()		