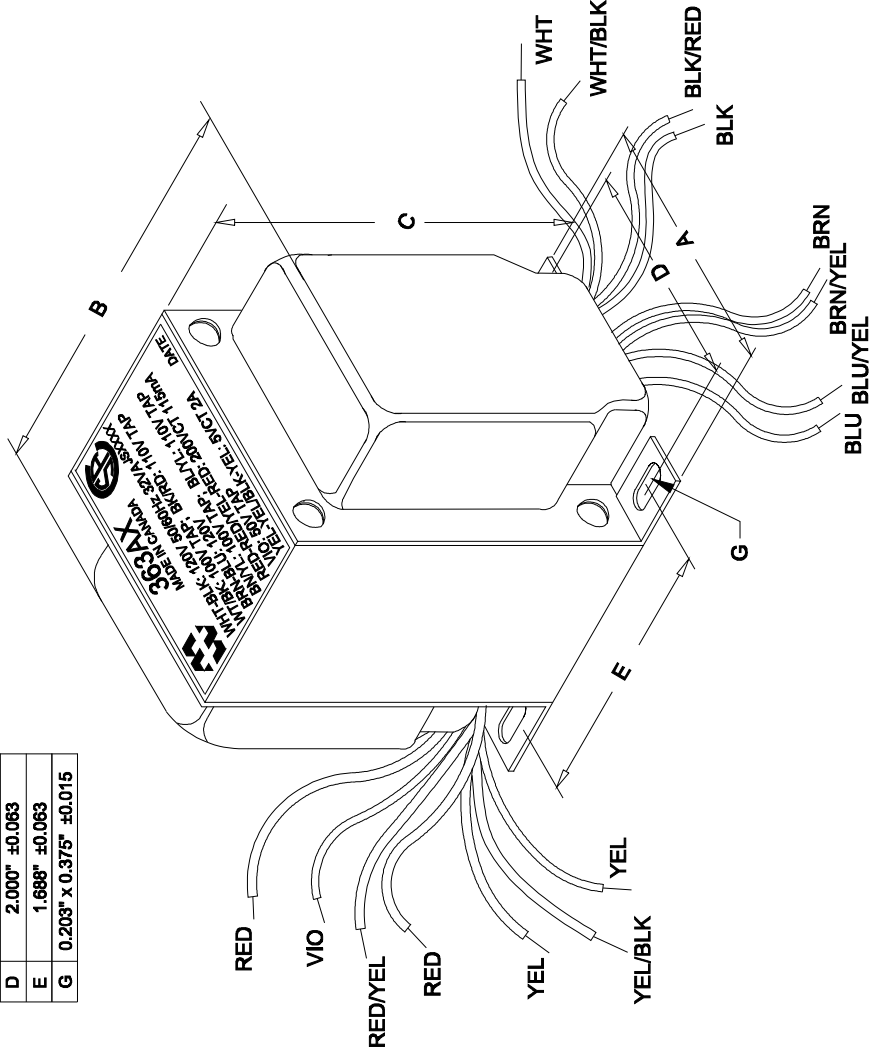
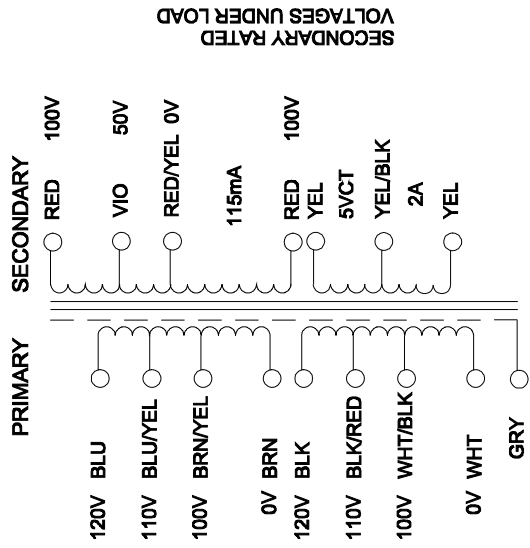


DIMENSIONS:	
A	2.500" ±0.063
B	2.750" ±0.125
C	3.060" ±0.063
D	2.000" ±0.063
E	1.868" ±0.063
G	0.203" x 0.375" ±0.015



NOTE: ALL LEADS 8" OUT MIN. STRIPPED 0.5"



50/60Hz  
GRY - ELECTROSTATIC SHIELD

ELECTRICAL DATA:		ACCEPTANCE CRITERIA
TESTS	CONDITIONS	
Isx	@ 120V, 60Hz, WHT - BLK	80mA Max.
Sec. N.L.V	@ 120V, 60Hz, WHT - BLK	
	RED - RED = 212.7V	±2%
	RED - RED/YEL = 108.4V	±2%
	RED/YEL - VIO = 50.06V	±2%
	YEL - YEL = 5.455V	±2%
	YEL - YEL/BLK = 2.727V	±2%
DCR	@ 20°C, WHT - BLK = 19.45 Ω	±20%
	@ 20°C, BRN - BLU = 21.36 Ω	±20%
	@ 20°C, RED - RED = 53.93 Ω	±20%
	@ 20°C, YEL - YEL = 0.117 Ω	±20%
HIPOT	PRIMARY - SECONDARY	2500V, 60Hz, 1 SEC

REV.#	RELEASED.	REVISION	DATE
0		C.I.	08/07/12

<b>HAMMOND</b> <b>MANUFACTURING™</b> ELECTRONIC DIVISION 52 RANKIN PLACE WATERLOO, ONTARIO, N2J 3Z5 PH # (519) 886-6181 FAX # (519) 886-9540	
DWG. BY: C. ILIE	CHKD BY:
DATE: 08/07/12	APP'D. BY:
DIMENSIONS: IN(X) MM( )	
TITLE: POWER TRANSFORMER	
DWG. NO. 363AX	