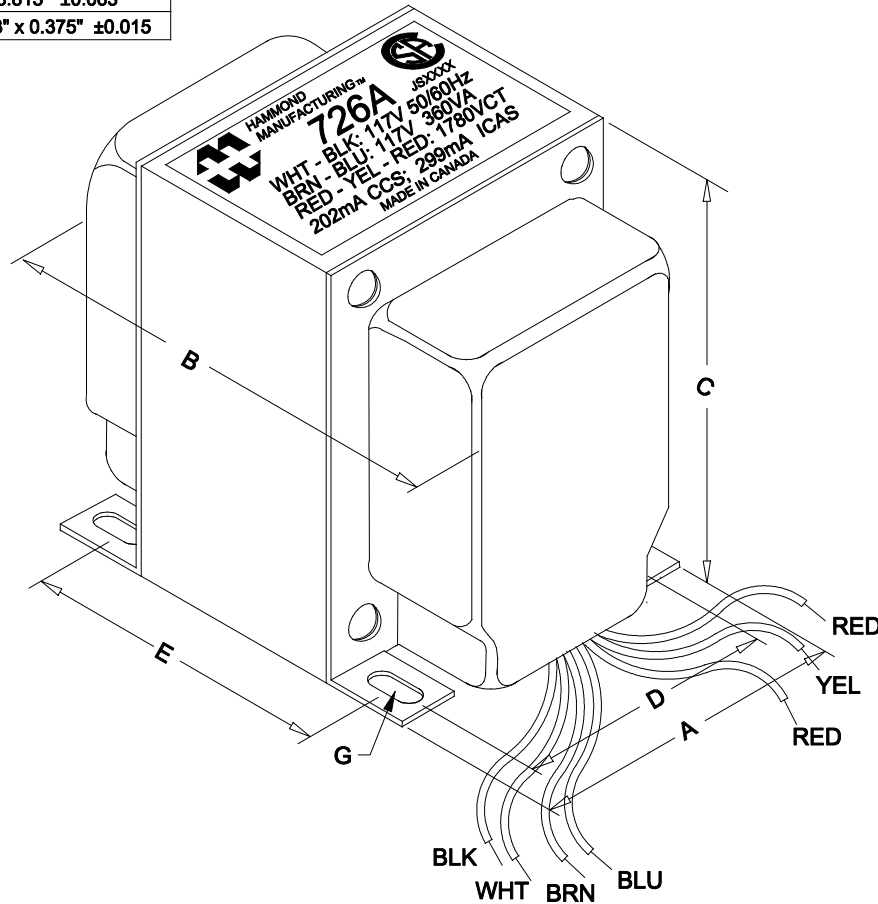
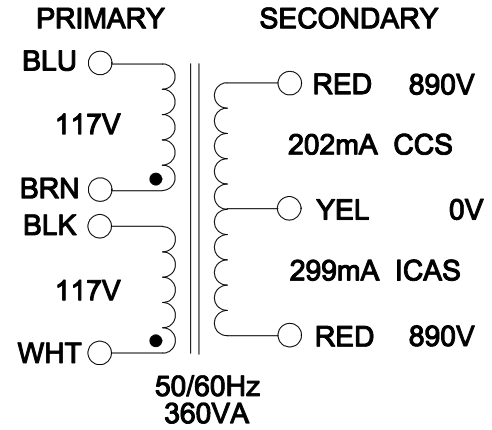


DIMENSIONS:

A	3.750" ±0.063
B	4.936" ±0.125
C	4.530" ±0.063
D	3.000" ±0.063
E	3.813" ±0.063
G	0.203" x 0.375" ±0.015



NOTE: ALL LEADS 9" OUT MIN.



FOR 117V: CONNECT WHT & BRN TOGETHER AND BLK & BLU TOGETHER
 INPUT: WHT - BLK
 FOR 234V: CONNECT BLK & BRN TOGETHER
 INPUT: WHT - BLU

ELECTRICAL DATA:

TESTS	CONDITIONS	ACCEPTANCE CRITERIA
Iex	@ 117V, 60Hz, WHT - BLK	343mA Max.
Sec. N.L.V	@ 117V, 60Hz, WHT - BLK	
	RED - RED =	1845.8V ±2%
	RED - RED/YEL = RED/YEL - RED =	922.9V ±2%
DCR	@ 20°C, WHT - BLK =	1.075 Ω ±20%
	@ 20°C, BRN - BLU =	1.262 Ω ±20%
	@ 20°C, RED - RED =	150.8 Ω ±20%
HIPOT	PRIMARY - SECONDARY	3500V, 60Hz, 1 SEC

REV.#	REVISION	DATE	HAMMOND MANUFACTURING™ ELECTRONIC DIVISION 52 RANKIN PLACE, WATERLOO, ONTARIO, N2J 3Z5	PH # (519) 886-6181 FAX # (519) 886-9540
0	RELEASED.	C.I. 05/13/15		
			DWG. BY: C. ILIE	CHK'D BY:
			DATE: 05/13/15	APP'D. BY:
				TITLE: PLATE TRANSFORMER
				DIMENSIONS: IN(X) MM()
				DWG. NO. 726A